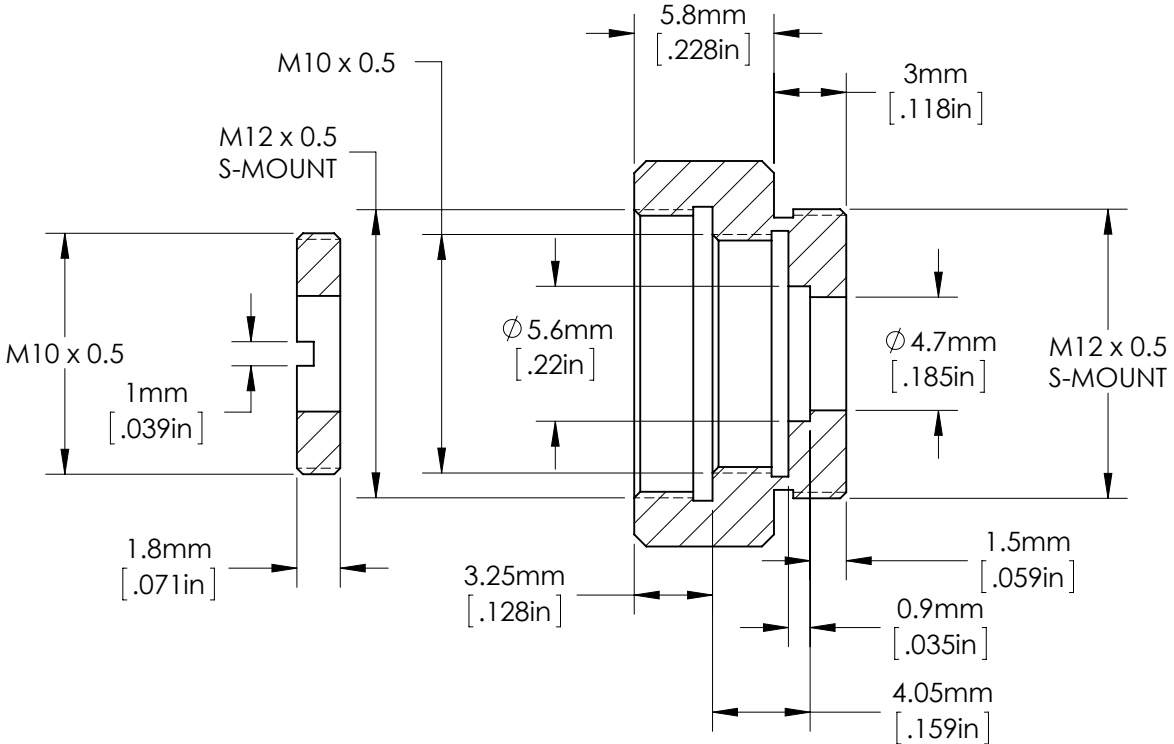
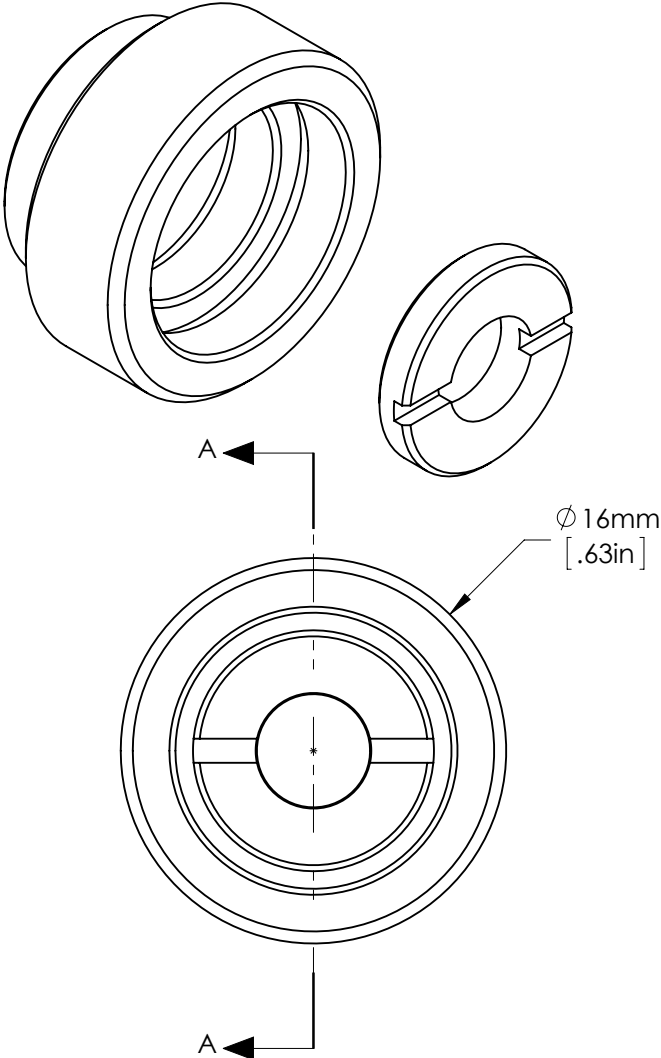


SPECIFICATIONS SUBJECT TO CHANGE WITHOUT NOTICE
 DIMENSIONS ARE FOR REFERENCE ONLY
 DIMENSIONS ARE IN mm [INCHES]



SECTION A-A

EO® Edmund Optics®

TITLE	S-Mount for 5.6mm Laser Diode Can			
DWG NO	63965	MATERIAL	BLACK ANODIZED ALUMINUM	SHEET 1 OF 1
				REV 000

Enable 3D View