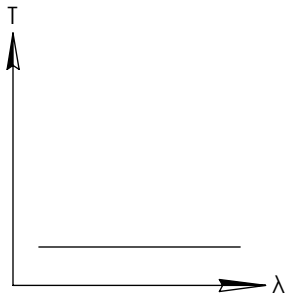
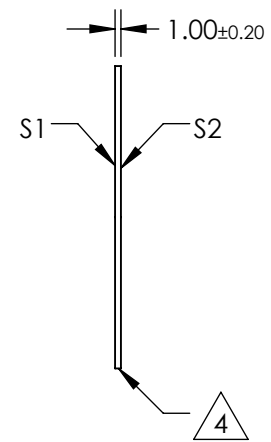
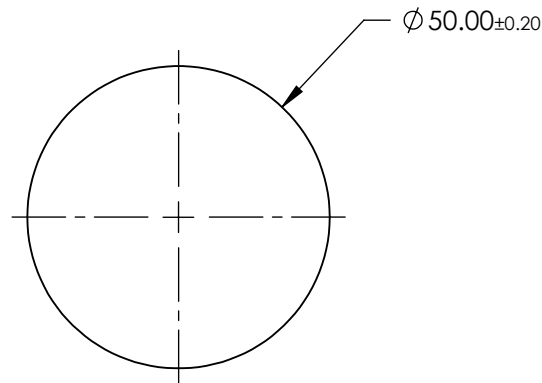
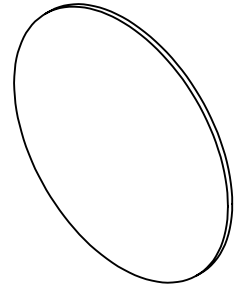


NOTES:

1. SUBSTRATE
2. SURFACE S2 TO BE PARALLEL WITH SURFACE S1 TO <10 ARCMIN
3. COATING (APPLY ACROSS CLEAR APERTURE)
METALLIC ND
4. FINE GROUND SURFACE
5. POWER, IRREGULARITY, AND SURFACE QUALITY SPECIFICATIONS
APPLY ACROSS CLEAR APERTURE
6. RoHS COMPLIANT

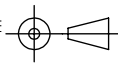
**FOR INFORMATION ONLY:
DO NOT MANUFACTURE
PARTS TO THIS DRAWING**



IR NEUTRAL DENSITY FILTER

SPECIFICATIONS SUBJECT TO CHANGE WITHOUT NOTICE
DIMENSIONS ARE FOR REFERENCE ONLY

	S1	S2
SHAPE	PLANO	PLANO
SURFACE FLATNESS	3 - 5λ	3 - 5λ
SURFACE QUALITY	80-50	80-50
CLEAR APERTURE	Ø45.00	Ø45.00
BEVEL	PROTECTIVE AS NEEDED	PROTECTIVE AS NEEDED

THIRD ANGLE PROJECTION 

ALL DIMS IN mm

EO® **Edmund Optics**®

TITLE	OD 0.9 , Ø50mm, IR NEUTRAL DENSITY FILTER	
DWG NO	87202	SHEET 1 OF 1