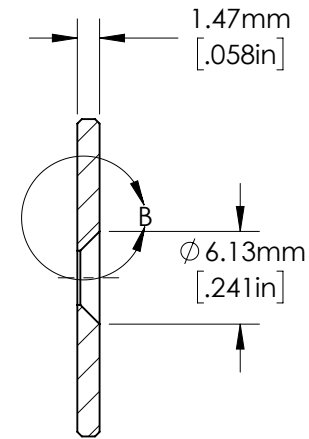
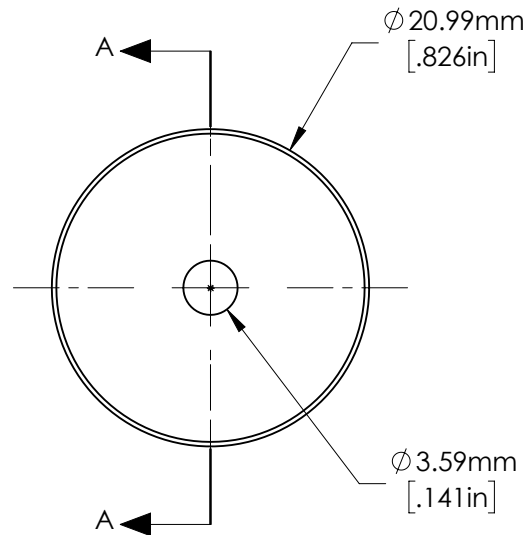


DETAIL B



SECTION A-A

SPECIFICATIONS SUBJECT TO CHANGE WITHOUT NOTICE  
DIMENSIONS ARE FOR REFERENCE ONLY

**FOR INFORMATION ONLY:**  
**DO NOT MANUFACTURE**  
**PARTS TO THIS DRAWING**

 **Edmund Optics®**

TITLE	F4.0 APERTURE FOR 25mm Cx LENS	
DWG NO	33655	SHEET 1 OF 1