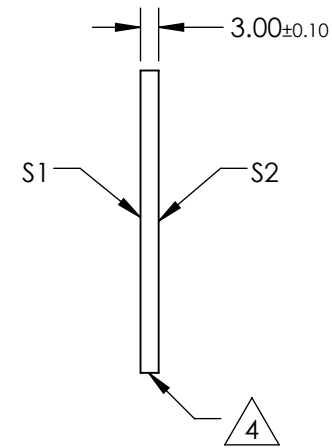
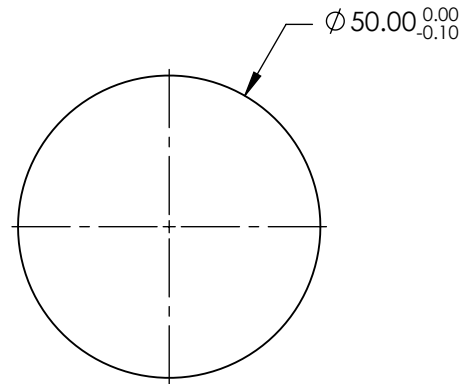
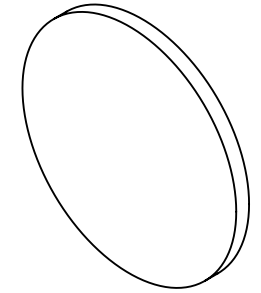


NOTES:

1. SUBSTRATE:
MGF²
2. SURFACE S2 TO BE PARALLEL TO S1 WITHIN 1 ARCMIN
3. COATING (APPLY ACROSS CLEAR APERTURE)
S1 & S2: UNCOATED

 4. FINE GRIND SURFACE

5. RoHS COMPLIANT



**FOR INFORMATION ONLY:
DO NOT MANUFACTURE
PARTS TO THIS DRAWING**

SPECIFICATIONS SUBJECT TO CHANGE WITHOUT NOTICE
DIMENSIONS ARE FOR REFERENCE ONLY

	S1	S2
SHAPE	PLANO	PLANO
SURFACE QUALITY	40-20	40-20
SURFACE FLATNESS	$\lambda/2$	$\lambda/2$
BEVEL	PROTECTIVE AS NEEDED	PROTECTIVE AS NEEDED

THIRD ANGLE PROJECTION 

ALL DIMS IN mm

 **Edmund Optics[®]**

TITLE

50mm DIAMETER UNCOATED, MAGNESIUM FLUORIDE WINDOW

DWG NO

64095

SHEET
1 OF 1