

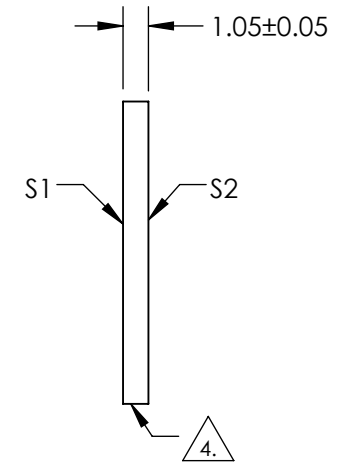
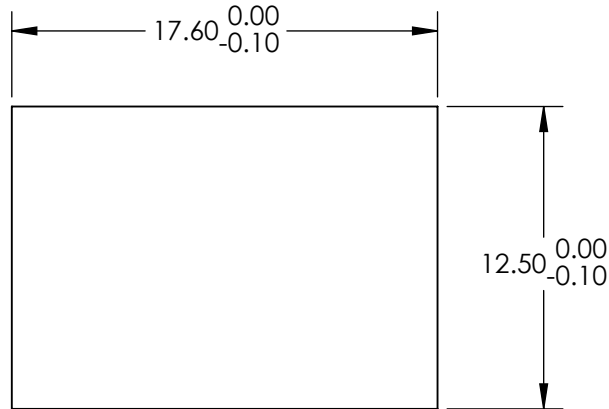
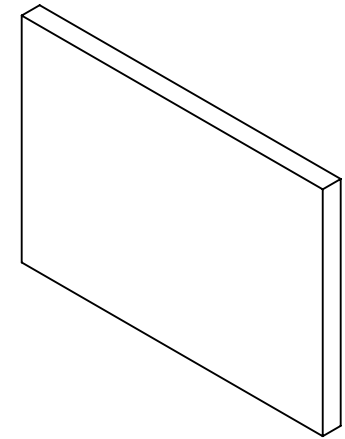
NOTES:

**FOR INFORMATION ONLY:
DO NOT MANUFACTURE
PARTS TO THIS DRAWING**

1. SUBSTRATE: UV FUSED SILICA
2. SURFACE S2 TO BE PARALLEL WITH SURFACE S1 TO WITHIN 3 arcsec
3. COATING SPECIFICATIONS APPLY ACROSS COATING APERTURE
 S1: Dielectric
 T(AVG) >90% FROM 670 - 800
 R(AVG) >98% FROM 580 - 651
 S2: AR

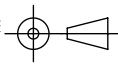
4.  FINE GRIND SURFACE

5. POWER, IRREGULARITY, AND SURFACE QUALITY SPECIFICATIONS APPLY ACROSS CLEAR APERTURE
6. TRANSMITTED WAVEFRONT RMS @ 632.8nm: $\leq \lambda/10$
7. ROHS COMPLIANT



SPECIFICATIONS SUBJECT TO CHANGE WITHOUT NOTICE
DIMENSIONS ARE FOR REFERENCE ONLY

REV. A	S1	S2
SHAPE	PLANO	PLANO
SURFACE QUALITY	40-20	40-20
CLEAR APERTURE	11 X 16	11 X 16
COATING APERTURE	11 X 16	11 X 16
BEVEL	PROTECTIVE AS NEEDED	PROTECTIVE AS NEEDED

THIRD ANGLE PROJECTION 

ALL DIMS IN mm

 **Edmund Optics®**

TITLE: 12.5 X 17.6mm, 660nm, HIGH PERFORMANCE FLUORESCENCE DICHOIC FILTER

DWG NO: 34742

SHEET 1 OF 1