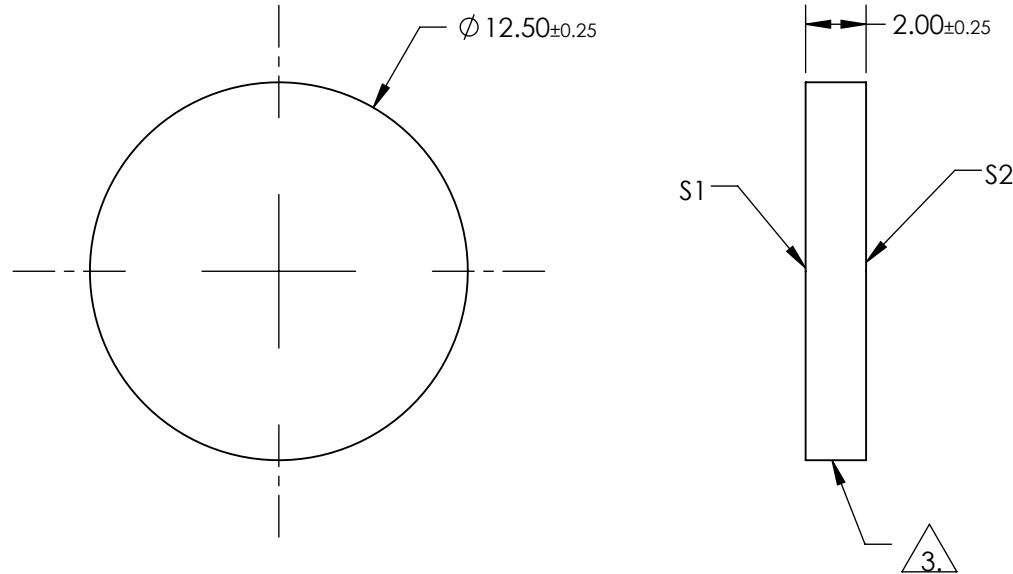
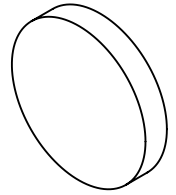


NOTES:

1. SUBSTRATE:
BOROFLOAT®
2. COATING SPECIFICATION:
S1: Protected Gold (700-10000nm)
R(AVG) >96% @ 700 - 2000nm
R(AVG) >96% @ 2000 - 10,000nm

△ 3. FINE GROUND SURFACE

4. ROHS COMPLIANT



**FOR INFORMATION ONLY:
DO NOT MANUFACTURE
PARTS TO THIS DRAWING**

SPECIFICATIONS SUBJECT TO CHANGE WITHOUT NOTICE
DIMENSIONS ARE FOR REFERENCE ONLY

	S1	S2				
SHAPE	PLANO	PLANO				
SURFACE QUALITY	60-40	COMMERCIAL POLISH	THIRD ANGLE PROJECTION	TITLE	12.5mm Dia. Protected Gold, $\lambda/4$ Mirror	
CLEAR APERTURE	$\lambda/4$	N/A		DWG NO	45603	SHEET 1 OF 1
BEVEL	PROTECTIVE AS NEEDED	PROTECTIVE AS NEEDED		ALL DIMS IN	mm	