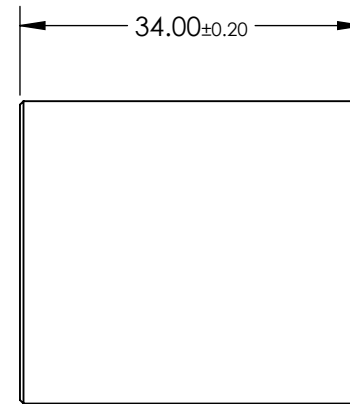
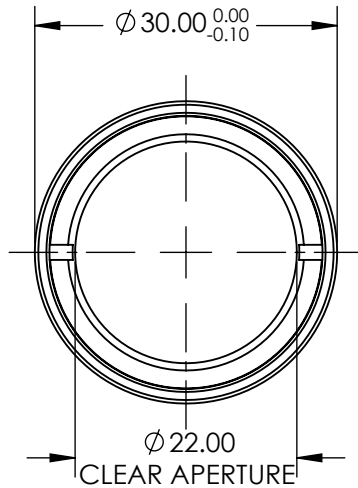
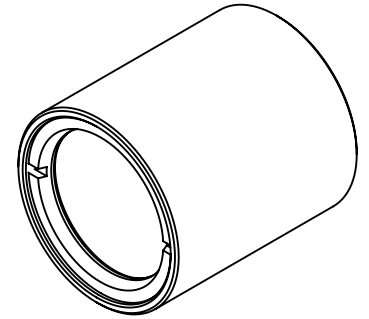


NOTES:

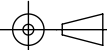
1. ELEMENT A: 45800
2. ELEMENT B: 45803



SPECIFICATIONS SUBJECT TO CHANGE WITHOUT NOTICE  
 DIMENSIONS ARE FOR REFERENCE ONLY

**FOR INFORMATION ONLY:  
 DO NOT MANUFACTURE  
 PARTS TO THIS DRAWING**

**EO**® Edmund Optics®

THIRD ANGLE PROJECTION 		TITLE	1:1.43 WITH 35mm AND 50mm EFL ACHROMATS, NIR ACHROMATIC PAIR	
ALL DIMS IN	mm	DWG NO	47294	SHEET 1 OF 1