

NOTES:

1. SUBSTRATE MATERIAL:
BOROFLOAT®

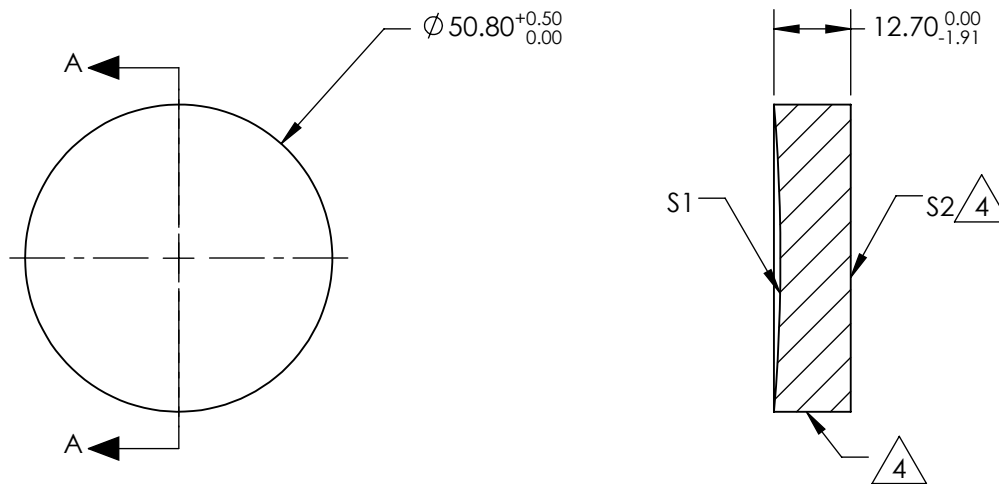
2. COATING (APPLY ACROSS CLEAR APERTURE)

S1: NONE
S2: NONE

3. POWER, IRREGULARITY, SURFACE QUALITY, AND COATING
SPECIFICATIONS APPLY ACROSS CLEAR APERTURE

 FINE GROUND SURFACE

5. ROHS COMPLIANT



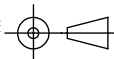
SECTION A-A

**FOR INFORMATION ONLY:
DO NOT MANUFACTURE
PARTS TO THIS DRAWING**

SPECIFICATIONS SUBJECT TO CHANGE WITHOUT NOTICE
DIMENSIONS ARE FOR REFERENCE ONLY

	S1	S2
SHAPE	CONCAVE	PLANO
EFFECTIVE FOCAL LENGTH	152.4mm	N/A
FOCAL LENGTH TOLERANCE	±2%	N/A
APERTURE	f/3	N/A
SURFACE QUALITY	60-40	60-40
SURFACE FLATNESS	$\lambda/4$	$\lambda/4$
BEVEL	PROTECTIVE AS NEEDED	PROTECTIVE AS NEEDED

THIRD ANGLE
PROJECTION



ALL DIMS IN

mm

 **Edmund Optics®**

TITLE

2" Dia, 6" FL Protected Alum., Spherical
Mirror

DWG NO

49602

SHEET
1 OF 1