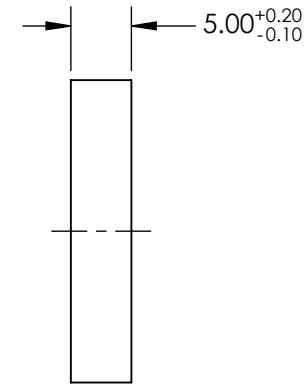
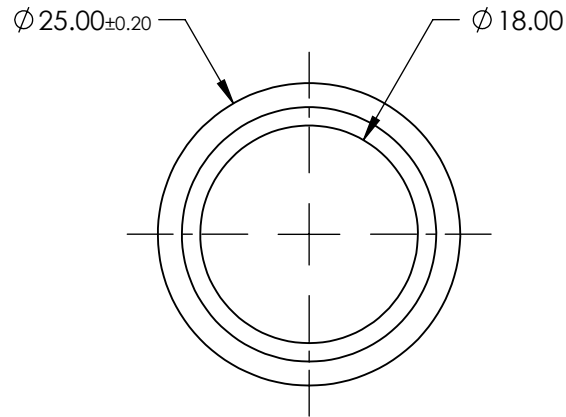
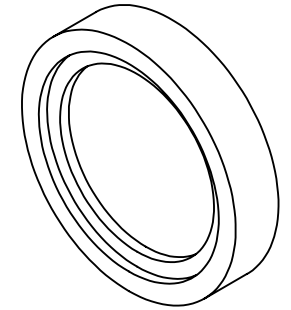


NOTES:

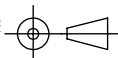
- SUBSTRATE:  
ZINC SELENIDE (ZnSe)



**FOR INFORMATION ONLY:  
DO NOT MANUFACTURE  
PARTS TO THIS DRAWING**

SPECIFICATIONS SUBJECT TO CHANGE WITHOUT NOTICE  
DIMENSIONS ARE FOR REFERENCE ONLY

DAMAGE THRESHOLD	50W/cm <sup>2</sup>
EXTINCTION RATIO	150:1 @ 3μm; 300:1 @ 10μm
PARALLELISM	≤3 ARCMIN
SURFACE FLATNESS	λ/20 @ 10.6μm
SURFACE QUALITY	60-40
TRANSMISSION	>50% @ 2 -19μm

THIRD ANGLE  
PROJECTION 

ALL DIMS IN mm

 **Edmund Optics®**

TITLE: Ø25mm, ZnSe, IR HOLOGRAPHIC WIRE GRID POLARIZER

DWG NO: 62772

SHEET 1 OF 1