

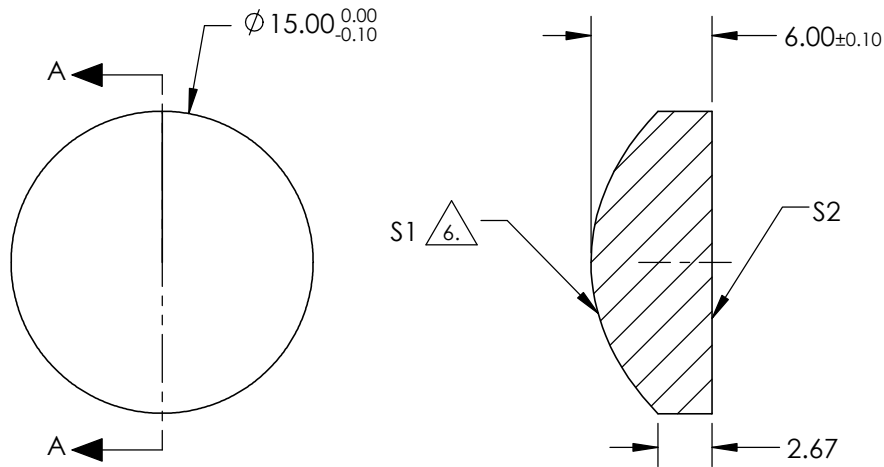
NOTES:

1. SUBSTRATE: FUSED SILICA
2. COATING (APPLY ACROSS CLEAR APERTURE)
 - S1: R(avg) ≤1.5% @ 425 - 675nm
 - S2: R(avg) ≤1.5% @ 425 - 675nm
3. EDGES: FINE GROUND
4. CENTERING: <3-5 ARCMIN
5. ASPHERE FIGURE ERROR: 0.75µm RMS

**FOR INFORMATION ONLY:
DO NOT MANUFACTURE
PARTS TO THIS DRAWING**

6. ASPHERIC SURFACE DESCRIBED BY (REF. COEFFICIENT TABLE)

$$Z_{ASPH}(Y) = \frac{(\frac{1}{RADIUS}) * Y^2}{1 + \sqrt{1 - (1+k) * (\frac{1}{RADIUS})^2 * Y^2}} + D * Y^2 + E * Y^4 + F * Y^6 + G * Y^8 + H * Y^{10} + J * Y^{12} + L * Y^{14}$$



SECTION A-A

COEFFICIENT TABLE	
COEFFICIENT	S1
k	-2.659391
D	0
E	3.3635149E-4
F	-2.146864E-6
G	1.8099629E-8
H	-7.0259812E-11
J	0
L	0

SPECIFICATIONS SUBJECT TO CHANGE WITHOUT NOTICE DIMENSIONS ARE FOR REFERENCE ONLY

REV. A	S1	S2	EFL @ 587.6nm	20		Edmund Optics®	
SHAPE	CONVEX	PLANO	BFL @ 587.6nm	15.89			 TITLE 15mm DIA 0.38 NA VIS COATED, UV FUSED SILICA ASPHERIC LENS
RADIUS	9.169	INFINITY					
SURFACE QUALITY	60-40	60-40					
CLEAR APERTURE	90%	90%					
BEVEL MAX	PROTECTIVE AS NEEDED	PROTECTIVE AS NEEDED					
			ALL DIMS IN	mm	DWG NO	49588	SHEET 1 OF 1