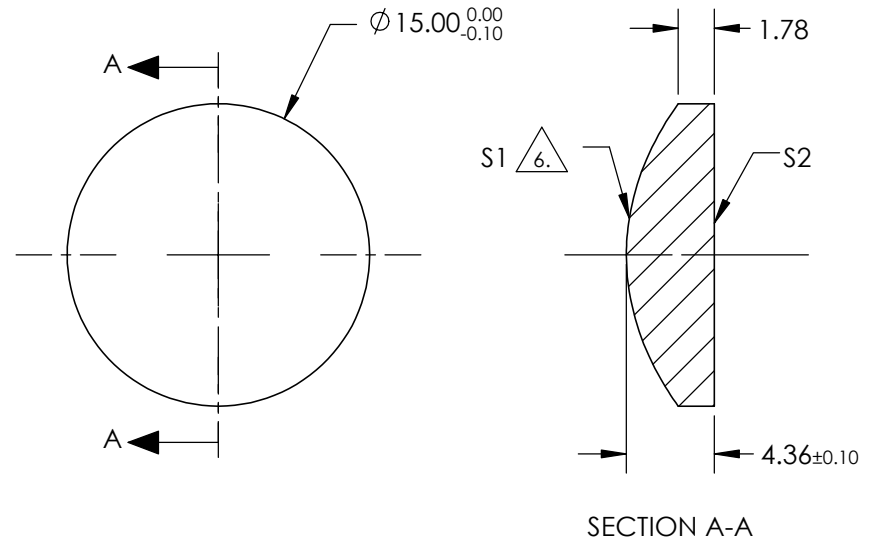


NOTES:

1. SUBSTRATE: FUSED SILICA
2. COATING (APPLY ACROSS CLEAR APERTURE)
 - S1: NR(avg) <2.5% @ 250 - 700nmNE
 - S2: NR(avg) <2.5% @ 250 - 700nmNE
3. EDGES: FINE GROUND
4. CENTERING: <3-5 ARCMIN
5. ASPHERE FIGURE ERROR: 0.75µm RMS

△ ASPHERIC SURFACE DESCRIBED BY (REF. COEFFICIENT TABLE)

$$Z_{ASPH}(Y) = \frac{(\frac{1}{RADIUS}) * Y^2}{1 + \sqrt{1 - (1+k) * (\frac{1}{RADIUS})^2 * Y^2}} + D * Y^2 + E * Y^4 + F * Y^6 + G * Y^8 + H * Y^{10} + J * Y^{12} + L * Y^{14}$$



COEFFICIENT TABLE △7	
COEFFICIENT	S1
k	-6.483400E-01
D	0
E	6.650100E-06
F	9.907000E-09
G	0
H	0
J	0
L	0

**FOR INFORMATION ONLY:
DO NOT MANUFACTURE
PARTS TO THIS DRAWING**

SPECIFICATIONS SUBJECT TO CHANGE WITHOUT NOTICE DIMENSIONS ARE FOR REFERENCE ONLY

REV. A	S1	S2	EFL @ 587.6µm	25	Edmund Optics®		
SHAPE	CONVEX	PLANO	BFL @ 587.6µm	22.01	THIRD ANGLE PROJECTION	TITLE	
RADIUS	11.463	IFINITY	15mm DIA 0.30 NA UV-VIS COATED, UV FUSED SILICA ASPHERIC LENS				
SURFACE QUALITY	60-40	60-40	ALL DIMS IN				DWG NO
CLEAR APERTURE	90%	90%	mm				33956
BEVEL MAX	PROTECTIVE AS NEEDED	PROTECTIVE AS NEEDED	SHEET 1 OF 1				