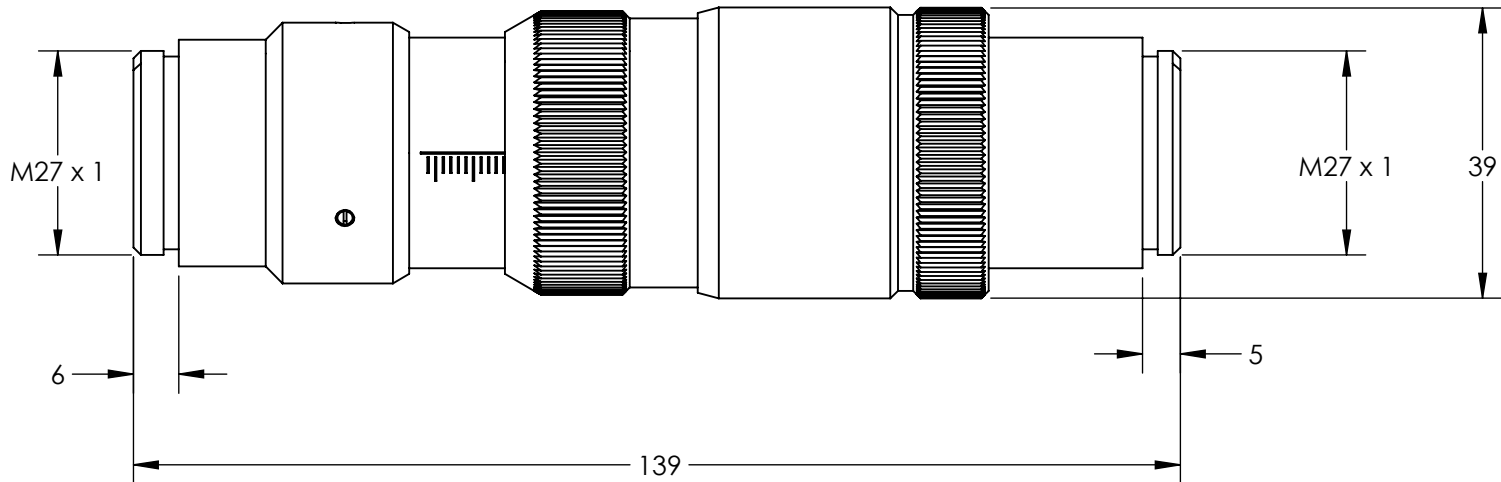
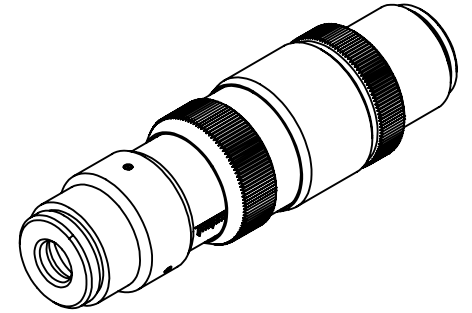


NOTES:

1. RoHS: NOT COMPLIANT

**FOR INFORMATION ONLY:  
DO NOT MANUFACTURE  
PARTS TO THIS DRAWING**



SPECIFICATIONS SUBJECT TO CHANGE WITHOUT NOTICE  
DIMENSIONS ARE FOR REFERENCE ONLY



REV. A	VALUE
DESIGN WAVELENGTH DWL (nm)	355
INPUT DIAMETER	6.3(1/E <sup>2</sup> )
WAVELENGTH RANGE(nm)	330 - 380



ALL DIMS IN mm

TITLE	355nm Flat Top Beam Shaper   πShaper 6_6_350	
DWG NO	34256	SHEET 1 OF 1