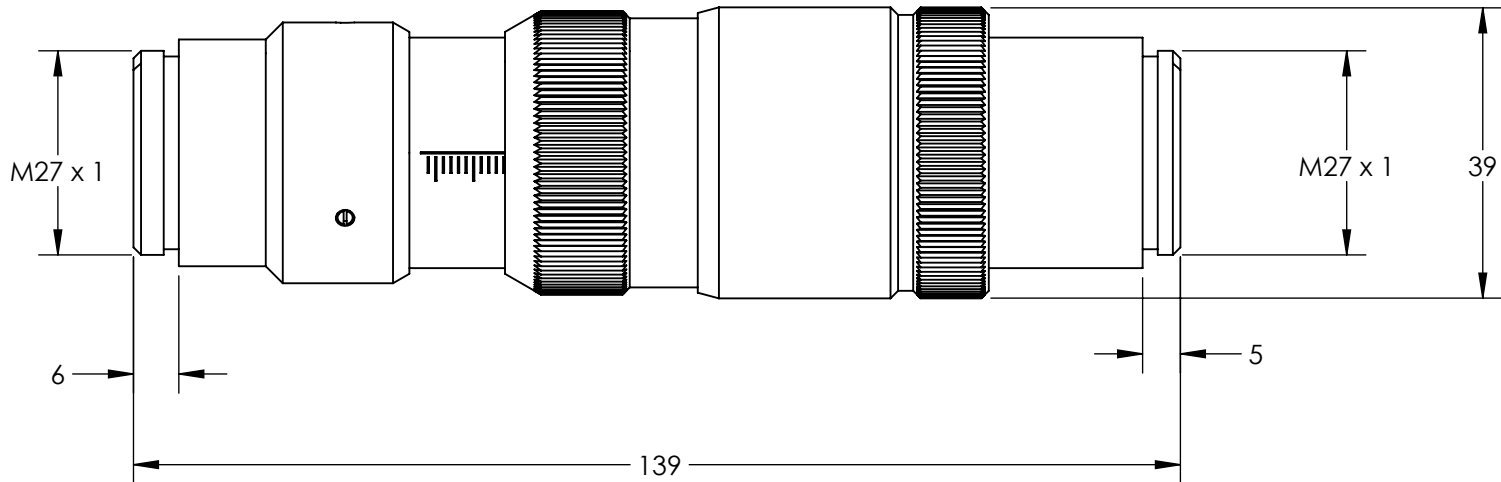
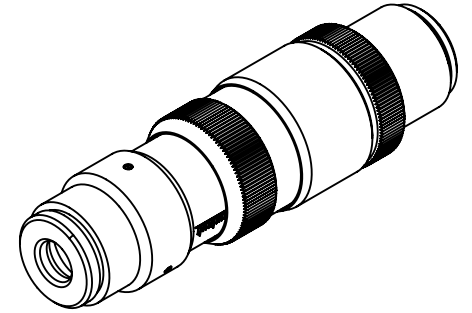


NOTES:

1. RoHS: COMPLIANT

**FOR INFORMATION ONLY:  
DO NOT MANUFACTURE  
PARTS TO THIS DRAWING**



SPECIFICATIONS SUBJECT TO CHANGE WITHOUT NOTICE  
DIMENSIONS ARE FOR REFERENCE ONLY



REV. A	VALUE
DESIGN WAVELENGTH DWL (nm)	532
INPUT DIAMETER	6.3(1/E <sup>2</sup> )
WAVELENGTH RANGE(nm)	520 - 550



ALL DIMS IN mm

TITLE	DWG NO	SHEET
532nm FLAT TOP BEAM SHAPER	34257	1 OF 1