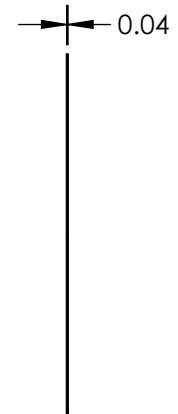
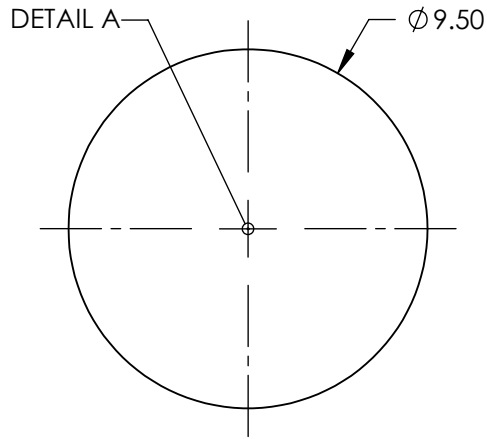
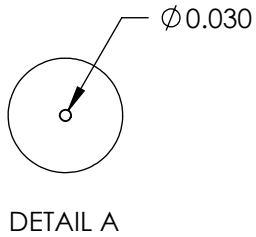
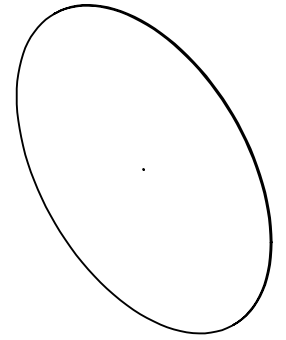


NOTES:

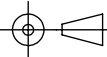
- 1. MATERIAL: COPPER
- 2. RoHS: COMPLIANT



SPECIFICATIONS SUBJECT TO CHANGE WITHOUT NOTICE
DIMENSIONS ARE FOR REFERENCE ONLY

**FOR INFORMATION ONLY:
DO NOT MANUFACTURE
PARTS TO THIS DRAWING**

EO[®] Edmund Optics[®]

THIRD ANGLE PROJECTION 		TITLE	30µm APERTURE DIAMETER, COPPER APERTURE	
ALL DIMS IN	mm	DWG NO	39886	SHEET 1 OF 1