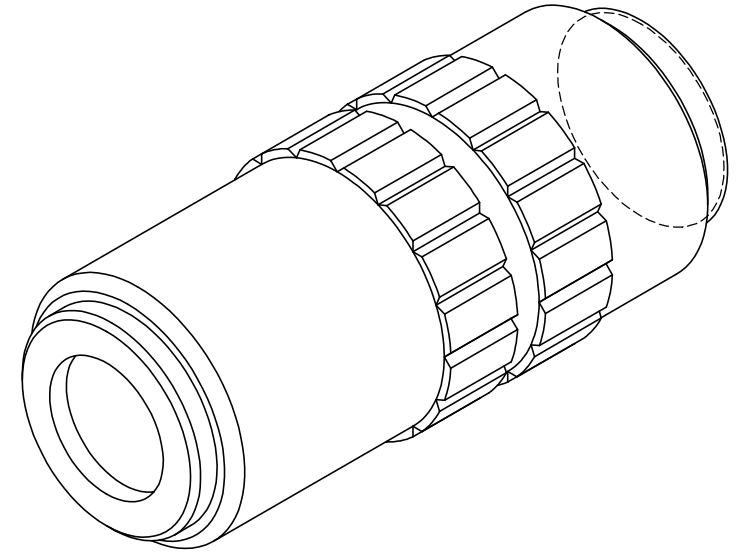
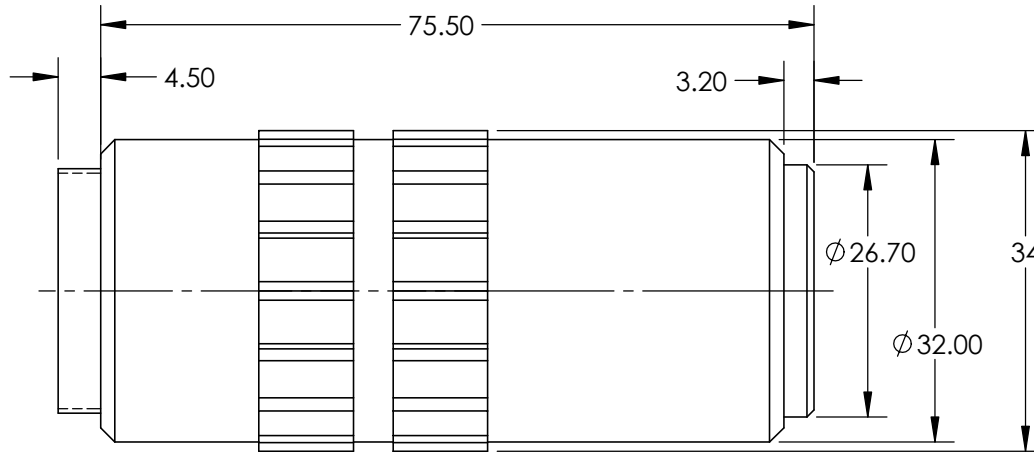


**FOR INFORMATION ONLY:
DO NOT MANUFACTURE
PARTS TO THIS DRAWING**

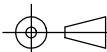


COMPATIBLE TUBE LENS	Focal Length: 200mm
MAGNIFICATION	20X
MOUNTING THREAD	M26 x 36 TPI
NUMERICAL APERTURE NA	0.42
WORKING DISTANCE (mm)	20
MOUNTING THREADS	M26 x 36 TPI
FOCAL LENGTH FL (mm)	10
TYPE	Plan APO
FIELD OF VIEW, 1" SENSOR	0.64 x 0.48mm
FIELD OF VIEW, 1/2" SENSOR	0.32 x 0.24mm
FIELD OF VIEW, 2/3" SENSOR	0.44 x 0.33mm
FIELD OF VIEW, 24 DIAMETER FIELD EYEPIECE (mm)	1.2
DEPTH OF FOCUS (μm)	1.6
RESOLVING POWER (μm)	0.7
RoHS	NOT COMPLIANT

SPECIFICATIONS SUBJECT TO CHANGE WITHOUT NOTICE
DIMENSIONS ARE FOR REFERENCE ONLY

EO® **Edmund Optics**®

THIRD ANGLE PROJECTION



TITLE

20X EO M Plan Apo Long Working Distance
Infinity Corrected

ALL DIMS IN

mm

DWG NO

59878

SHEET
1 OF 1