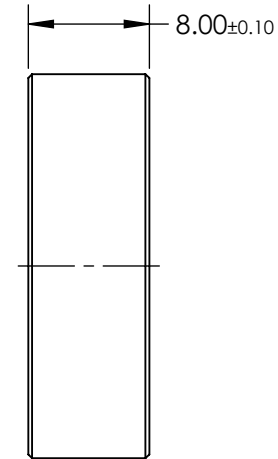
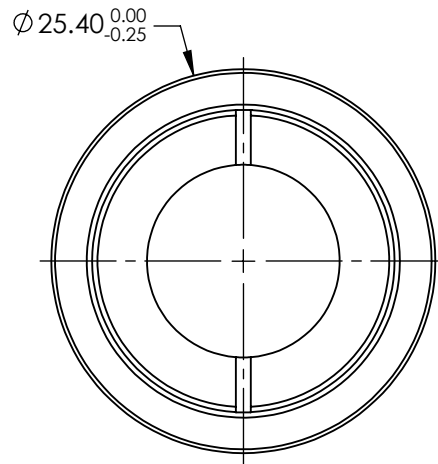
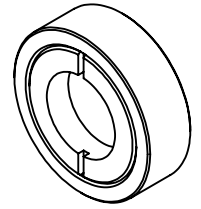


NOTES:

1. SUBSTRATE:
CRYSTAL QUARTZ AND MgF2
2. COATING SPECIFICATION (APPLY ACROSS COATING APERTURE)

S1 & S2: R(AVG) < 0.5% @ 1200 - 1650nm

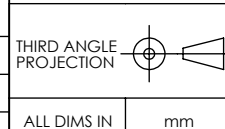
DAMAGE THRESHOLD, CW: 500 kW/cm²
(PULSED): 2 J/cm² FOR 8ns @ 1064nm
3. CONSTRUCTION: CRYSTALLINE
4. ROHS: COMPLIANT



**FOR INFORMATION ONLY:
DO NOT MANUFACTURE
PARTS TO THIS DRAWING**

SPECIFICATIONS SUBJECT TO CHANGE WITHOUT NOTICE
DIMENSIONS ARE FOR REFERENCE ONLY

REV. A	VALUE
WAVELENGTH RANGE (nm)	1200 - 1650
SURFACE QUALITY	20 - 10
CLEAR APERTURE (mm)	Ø12.50
RETARDANCE	λ/2
RETARDANCE TOLERANCE	≤ λ/100



ALL DIMS IN

mm

EO® Edmund Optics®

TITLE

25.4mm Dia, 1200-1650nm, λ/2 Wave
Achromatic Waveplate

DWG NO

46563

SHEET
1 OF 1