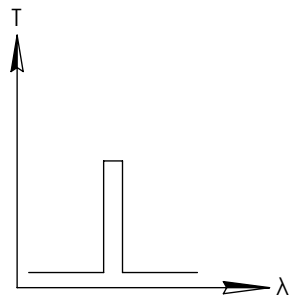
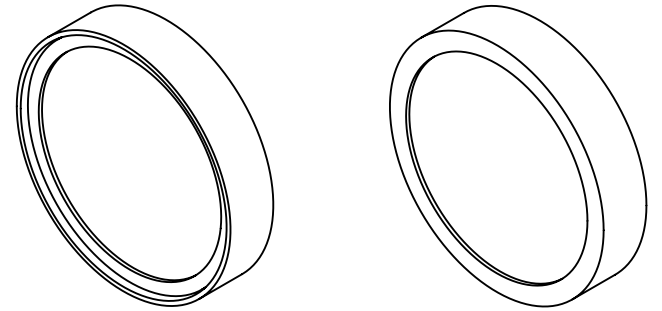
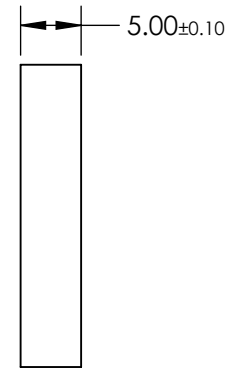
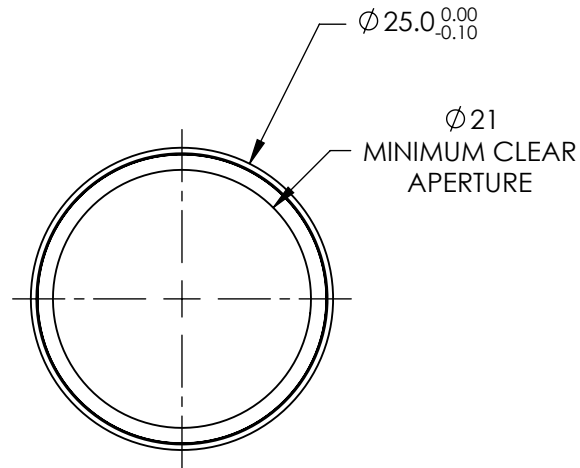


**FOR INFORMATION ONLY:  
DO NOT MANUFACTURE  
PARTS TO THIS DRAWING**



BANDPASS FILTER



REV. 001	VALUE
CENTER WAVELENGTH (CWL)	266nm $\pm 2$ nm
FULL WIDTH HALF MAX (FWHM)	10.0 $\pm 2$ nm
MINIMUM TRANSMISSION	$\geq 50\%$
BLOCKING	200 - 650nm
SURFACE QUALITY	80-50
CONSTRUCTION	MOUNTED IN BLACK ANODIZED ALUMINUM RING
COATING TYPE	Hard Coated
DURABILITY	MIL-C-48497a, SEC 3.4.1
ENVIRONMENTAL	MIL-STD-810F, SEC 507.4

SPECIFICATIONS SUBJECT TO CHANGE WITHOUT NOTICE  
DIMENSIONS ARE FOR REFERENCE ONLY



ALL DIMS IN

mm

TITLE

Filter BP 266 x 10nm OD4 25mm

DWG NO

39313

SHEET  
1 OF 1