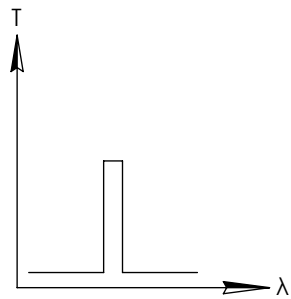
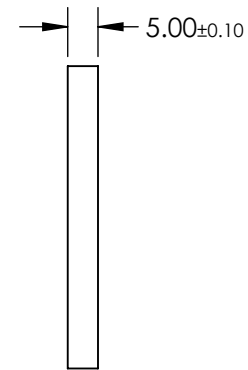
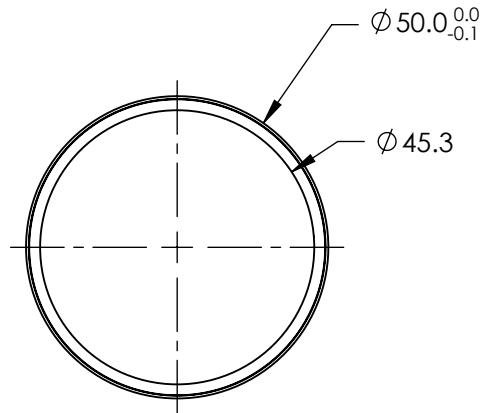
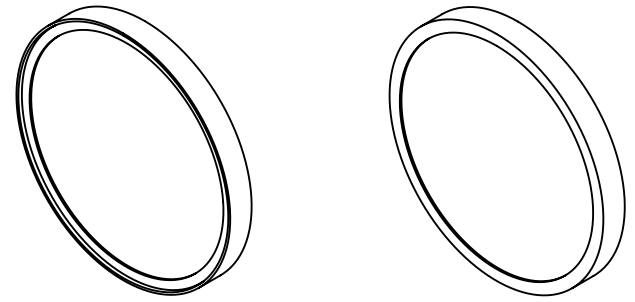


**FOR INFORMATION ONLY:
DO NOT MANUFACTURE
PARTS TO THIS DRAWING**



BANDPASS FILTER

REV. 001	VALUE
CENTER WAVELENGTH (CWL)	254nm ±2nm
FULL WIDTH HALF MAX (FWHM)	10.0 ±2nm
MINIMUM TRANSMISSION	≥50%
BLOCKING	200 - 650nm
SURFACE QUALITY	80-50
CONSTRUCTION	MOUNTED IN BLACK ANODIZED ALUMINUM RING
COATING TYPE	Hard Coated
DURABILITY	MIL-C-48497a, SEC 3.4.1
ENVIRONMENTAL	MIL-STD-810F, SEC 507.4

SPECIFICATIONS SUBJECT TO CHANGE WITHOUT NOTICE
DIMENSIONS ARE FOR REFERENCE ONLY



THIRD ANGLE PROJECTION		TITLE	Filter BP 254 x 10nm OD4 50mm
ALL DIMS IN	mm	DWG NO	39319
			SHEET 1 OF 1