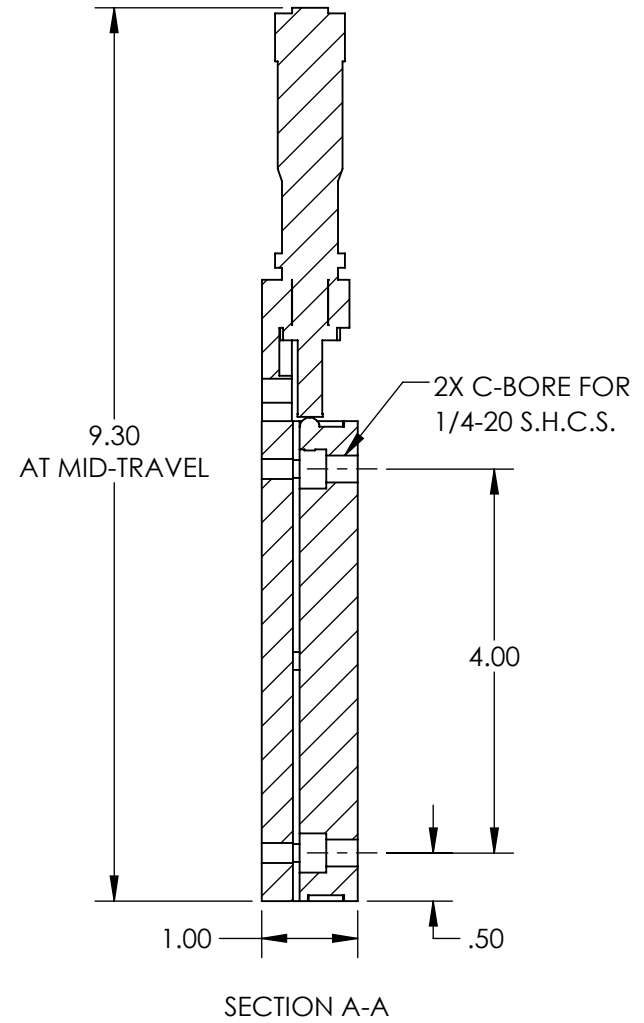
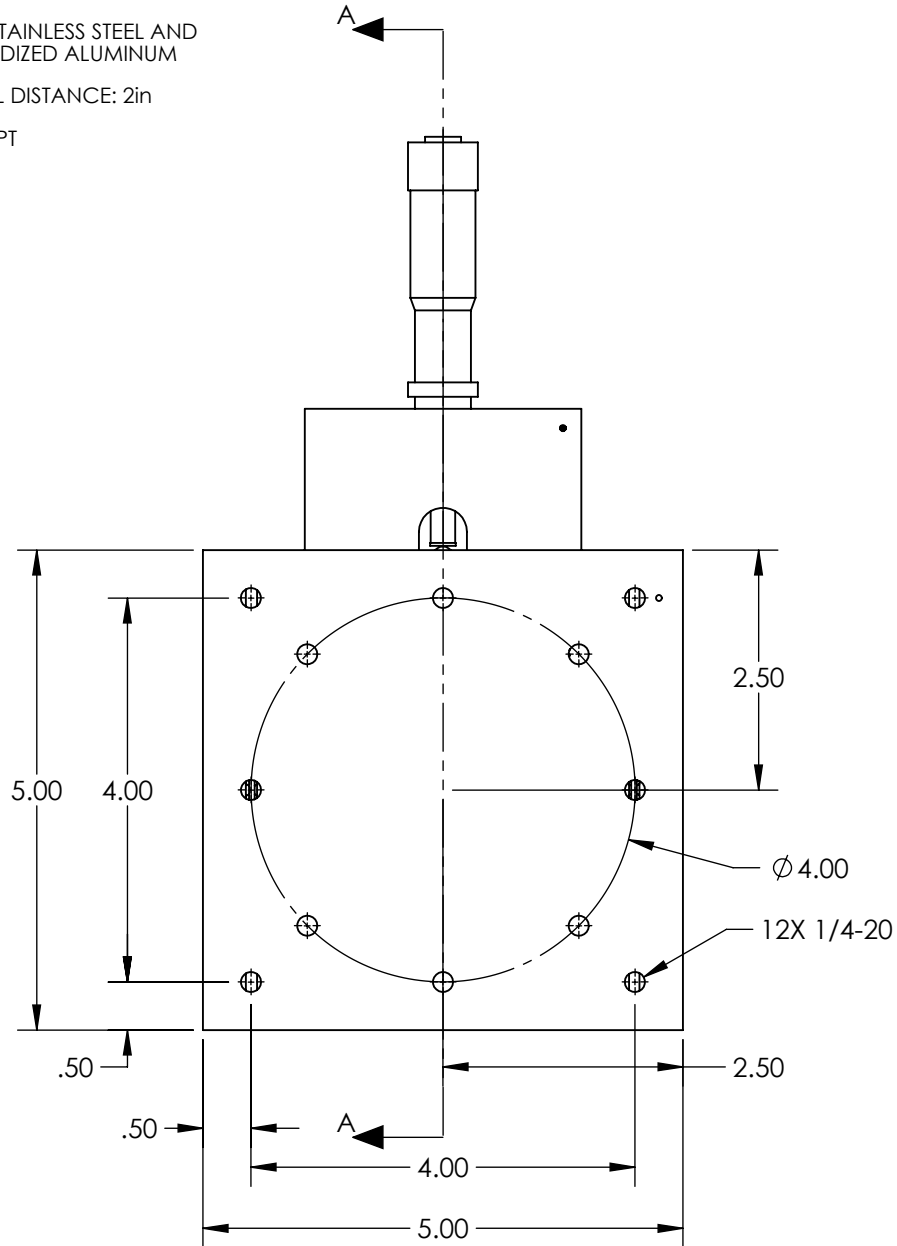


NOTES:

1. MATERIAL: STAINLESS STEEL AND BLACK ANODIZED ALUMINUM
2. MAX TRAVEL DISTANCE: 2in
3. RoHS: EXEMPT



**FOR INFORMATION ONLY:
DO NOT MANUFACTURE
PARTS TO THIS DRAWING**

SPECIFICATIONS SUBJECT TO
CHANGE WITHOUT NOTICE
DIMENSIONS ARE FOR
REFERENCE ONLY

EO® Edmund Optics®

THIRD ANGLE PROJECTION		TITLE	2" TRAVEL, ENG MICROMETER, SOLID TOP BALL BEARING STAGE	
ALL DIMS IN	in	DWG NO	38177	SHEET 1 OF 1