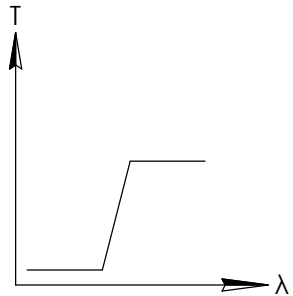
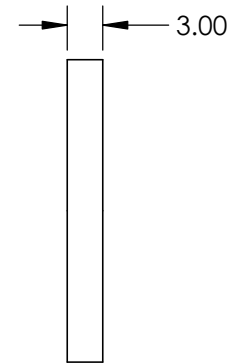
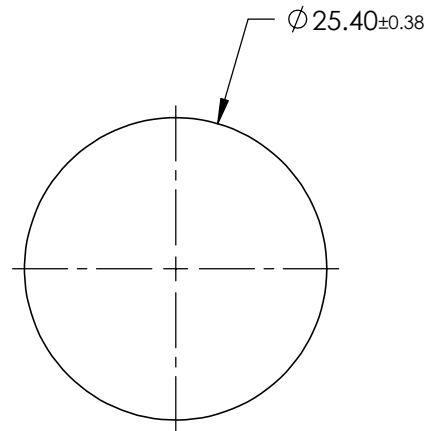
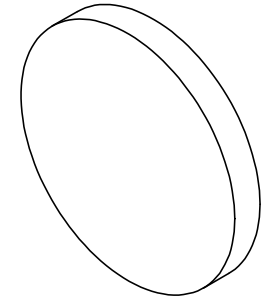


**FOR INFORMATION ONLY:
DO NOT MANUFACTURE
PARTS TO THIS DRAWING**



LONGPASS FILTER

SPECIFICATIONS SUBJECT TO CHANGE WITHOUT NOTICE
DIMENSIONS ARE FOR REFERENCE ONLY

REV. A	VALUE
SHAPE	PLANO
SPECTRAL TRANSMITTANCE $\pm_{ip}(\%)$	94
PASSBAND LIMIT λ_{p1} (nm)	710
CUT-OFF POSITION λ_c (nm)	630 \pm 6
STOPBAND LIMIT λ_s (nm)	540
WAVELENGTH	VIS
BEVEL	PROTECTIVE AS NEEDED



ALL DIMS IN

mm

TITLE

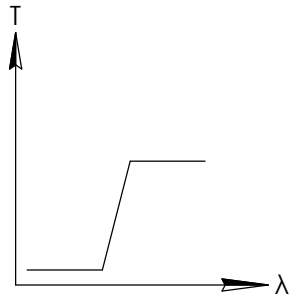
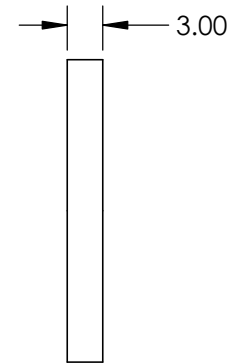
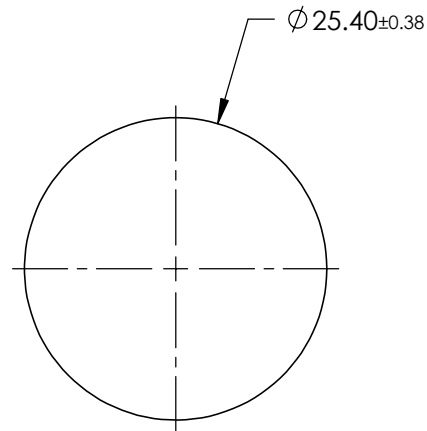
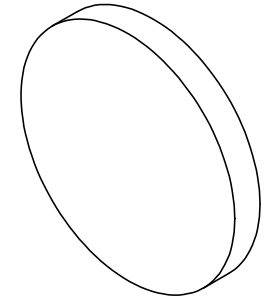
$\varnothing 25.4\text{mm}$, RG-630 LONGPASS FILTER

DWG NO

32755

SHEET
1 OF 1

**FOR INFORMATION ONLY:
DO NOT MANUFACTURE
PARTS TO THIS DRAWING**



LONGPASS FILTER

SPECIFICATIONS SUBJECT TO CHANGE WITHOUT NOTICE
DIMENSIONS ARE FOR REFERENCE ONLY

REV. A	VALUE
SHAPE	PLANO
SPECTRAL TRANSMITTANCE $t_{ip}(\%)$	96
PASSBAND LIMIT λ_{p1} (nm)	780
CUT-OFF POSITION λ_c (nm)	695±6
STOPBAND LIMIT λ_s (nm)	610
WAVELENGTH	IR
BEVEL	PROTECTIVE AS NEEDED



ALL DIMS IN

mm

TITLE

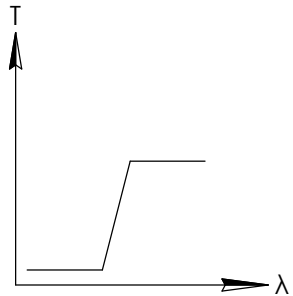
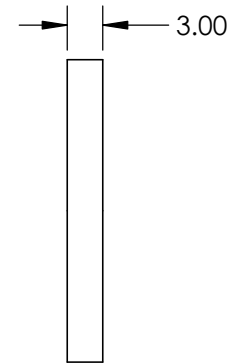
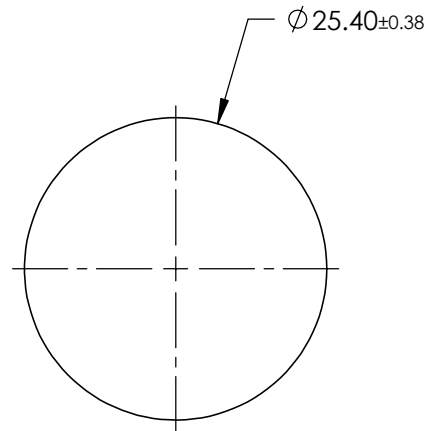
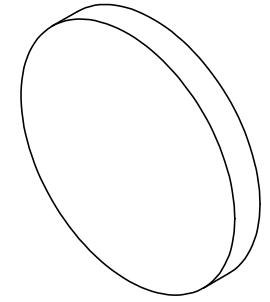
Ø25.4mm, RG-695 LONGPASS FILTER

DWG NO

32756

SHEET
1 OF 1

**FOR INFORMATION ONLY:
DO NOT MANUFACTURE
PARTS TO THIS DRAWING**



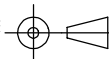
LONGPASS FILTER

SPECIFICATIONS SUBJECT TO CHANGE WITHOUT NOTICE
DIMENSIONS ARE FOR REFERENCE ONLY

REV. A	VALUE
SHAPE	PLANO
SPECTRAL TRANSMITTANCE \pm ig (%)	97
PASSBAND LIMIT λ_{p1} (nm)	900
CUT-OFF POSITION λ_c (nm)	780±9
STOPBAND LIMIT λ_s (nm)	610
WAVELENGTH	IR
BEVEL	PROTECTIVE AS NEEDED



THIRD ANGLE
PROJECTION



TITLE

Ø25.4mm, RG-780 LONGPASS FILTER

ALL DIMS IN

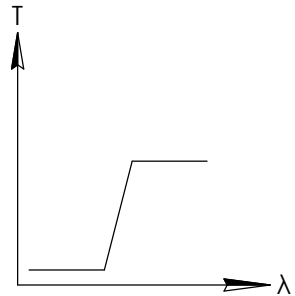
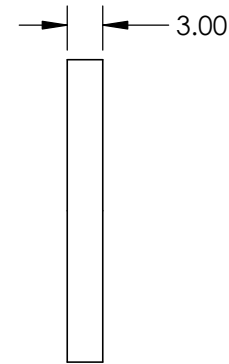
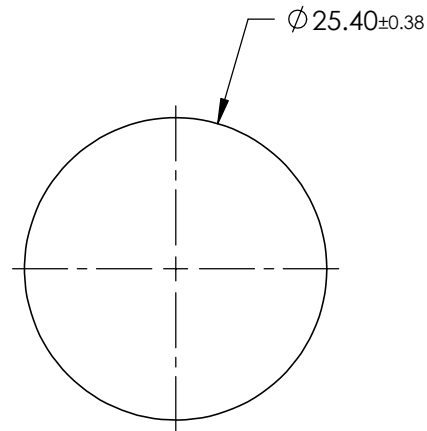
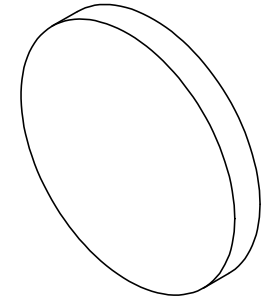
mm

DWG NO

32757

SHEET
1 OF 1

**FOR INFORMATION ONLY:
DO NOT MANUFACTURE
PARTS TO THIS DRAWING**



LONGPASS FILTER

SPECIFICATIONS SUBJECT TO CHANGE WITHOUT NOTICE
DIMENSIONS ARE FOR REFERENCE ONLY

REV. A	VALUE
SHAPE	PLANO
SPECTRAL TRANSMITTANCE $\pm_{ip}(\%)$	97
PASSBAND LIMIT λ_{p1} (nm)	950
CUT-OFF POSITION λ_c (nm)	830 \pm 9
STOPBAND LIMIT λ_s (nm)	670
WAVELENGTH	IR
BEVEL	PROTECTIVE AS NEEDED

EO® Edmund Optics®

THIRD ANGLE PROJECTION

TITLE

Ø25.4mm, RG-830 LONGPASS FILTER

ALL DIMS IN

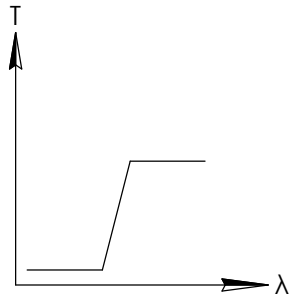
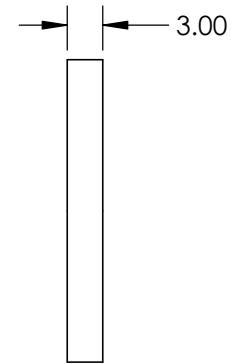
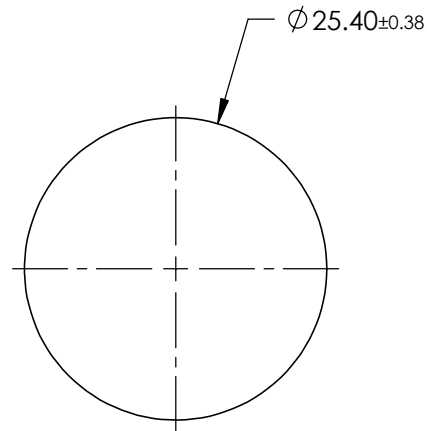
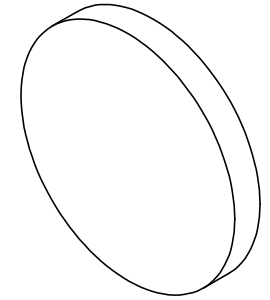
mm

DWG NO

32758

SHEET
1 OF 1

**FOR INFORMATION ONLY:
DO NOT MANUFACTURE
PARTS TO THIS DRAWING**



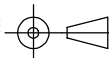
LONGPASS FILTER

SPECIFICATIONS SUBJECT TO CHANGE WITHOUT NOTICE
DIMENSIONS ARE FOR REFERENCE ONLY

REV. A	VALUE
SHAPE	PLANO
SPECTRAL TRANSMITTANCE \pm ig (%)	97
PASSBAND LIMIT λ_{p1} (nm)	120
CUT-OFF POSITION λ_c (nm)	850 \pm 9
STOPBAND LIMIT λ_s (nm)	700
WAVELENGTH	IR
BEVEL	PROTECTIVE AS NEEDED



THIRD ANGLE
PROJECTION



TITLE

$\varnothing 25.4\text{mm}$, RG-850 LONGPASS FILTER

ALL DIMS IN

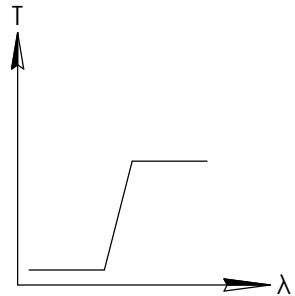
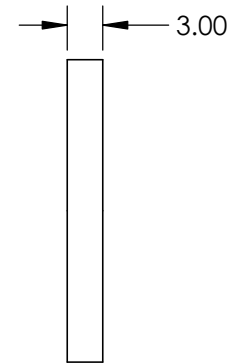
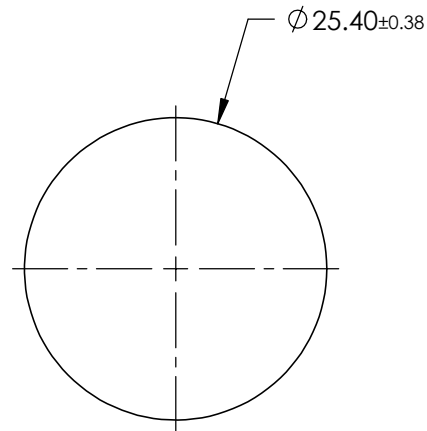
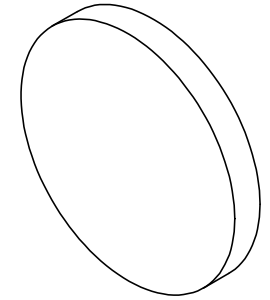
mm

DWG NO

32759

SHEET
1 OF 1

**FOR INFORMATION ONLY:
DO NOT MANUFACTURE
PARTS TO THIS DRAWING**



LONGPASS FILTER

SPECIFICATIONS SUBJECT TO CHANGE WITHOUT NOTICE
DIMENSIONS ARE FOR REFERENCE ONLY

REV. A	VALUE
SHAPE	PLANO
SPECTRAL TRANSMITTANCE $t_{ip}(\%)$	90
PASSBAND LIMIT λ_{p1} (nm)	1300
CUT-OFF POSITION λ_c (nm)	1000±6
STOPBAND LIMIT λ_s (nm)	730
WAVELENGTH	IR
BEVEL	PROTECTIVE AS NEEDED



ALL DIMS IN

mm

TITLE

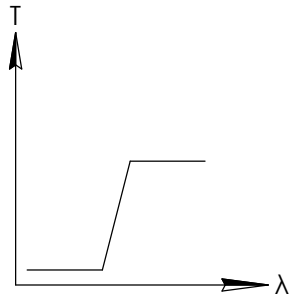
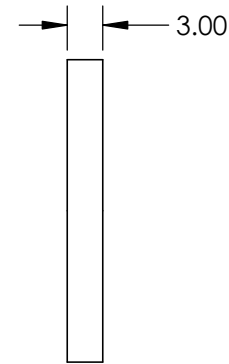
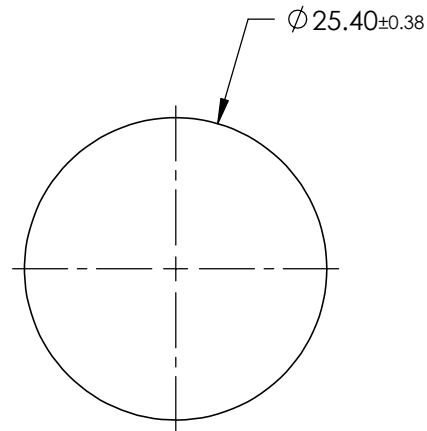
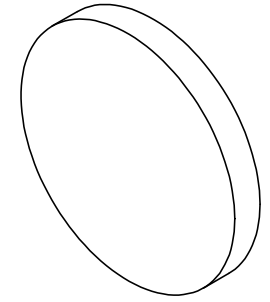
Ø25.4mm, RG-1000 LONGPASS FILTER

DWG NO

32760

SHEET
1 OF 1

**FOR INFORMATION ONLY:
DO NOT MANUFACTURE
PARTS TO THIS DRAWING**



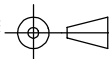
LONGPASS FILTER

SPECIFICATIONS SUBJECT TO CHANGE WITHOUT NOTICE
DIMENSIONS ARE FOR REFERENCE ONLY

REV. A	VALUE
SHAPE	PLANO
SPECTRAL TRANSMITTANCE $\pm_{ip}(\%)$	96
PASSBAND LIMIT λ_{p1} (nm)	750
CUT-OFF POSITION λ_c (nm)	665 \pm 6
STOPBAND LIMIT λ_s (nm)	580
WAVELENGTH	VIS
BEVEL	PROTECTIVE AS NEEDED



THIRD ANGLE
PROJECTION



TITLE

$\varnothing 25.4\text{mm}$, RG-665 LONGPASS FILTER

ALL DIMS IN

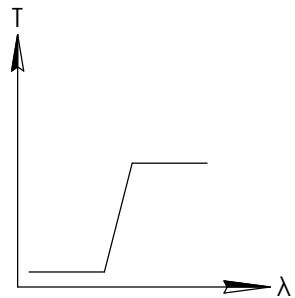
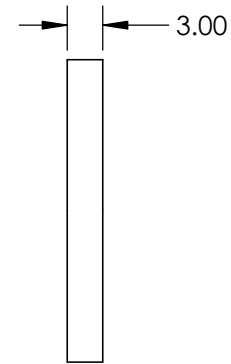
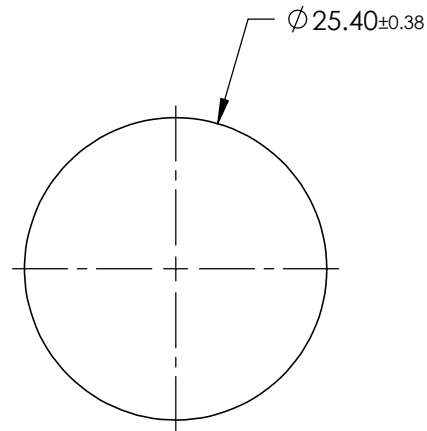
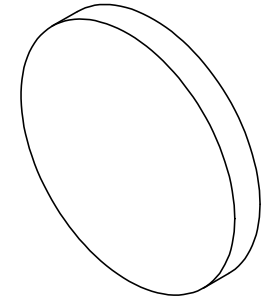
mm

DWG NO

45070

SHEET
1 OF 1

**FOR INFORMATION ONLY:
DO NOT MANUFACTURE
PARTS TO THIS DRAWING**



LONGPASS FILTER

SPECIFICATIONS SUBJECT TO CHANGE WITHOUT NOTICE
DIMENSIONS ARE FOR REFERENCE ONLY

REV. A	VALUE
SHAPE	PLANO
SPECTRAL TRANSMITTANCE \pm ig (%)	96
PASSBAND LIMIT λ_{p1} (nm)	810
CUT-OFF POSITION λ_c (nm)	715±9
STOPBAND LIMIT λ_s (nm)	620
WAVELENGTH	IR
BEVEL	PROTECTIVE AS NEEDED



ALL DIMS IN

mm

TITLE

Ø25.4mm, RG-715 LONGPASS FILTER

DWG NO

46065

SHEET
1 OF 1