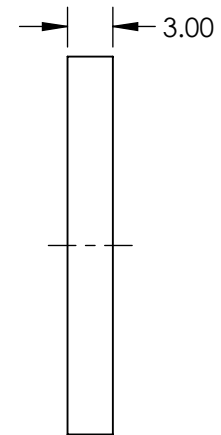
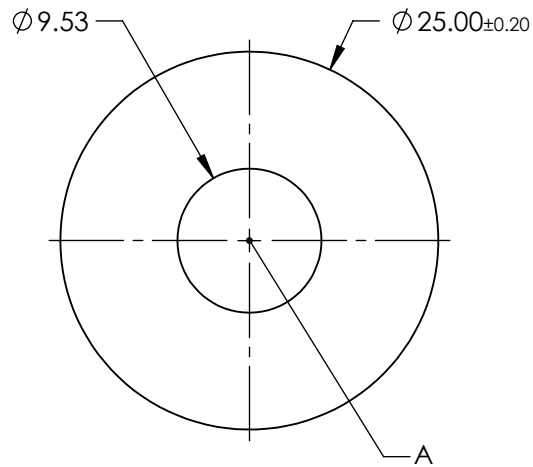
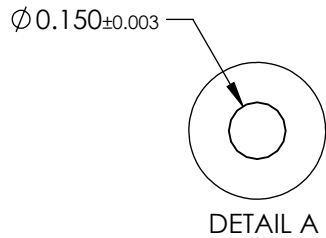
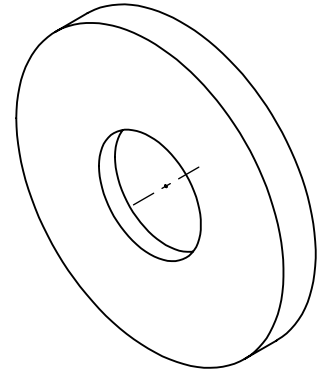


NOTES:

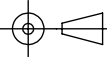
1. MATERIAL: STAINLESS STEEL
2. ABSORBANCE: 99%
3. WAVELENGTH RANGE: EUV - NIR
4. RoHS: COMPLIANT



SPECIFICATIONS SUBJECT TO CHANGE WITHOUT NOTICE
DIMENSIONS ARE FOR REFERENCE ONLY

**FOR INFORMATION ONLY:
DO NOT MANUFACTURE
PARTS TO THIS DRAWING**

EO® Edmund Optics®

THIRD ANGLE PROJECTION 		TITLE	150μm APERTURE DIAMETER, MOUNTED, ACKTAR BLACKENED PINHOLE	
ALL DIMS IN	mm	DWG NO	15396	SHEET 1 OF 1