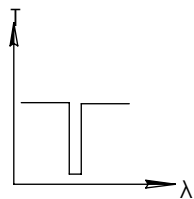
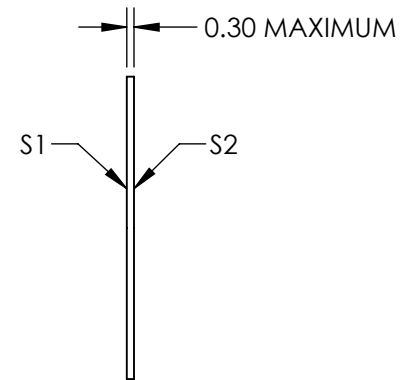
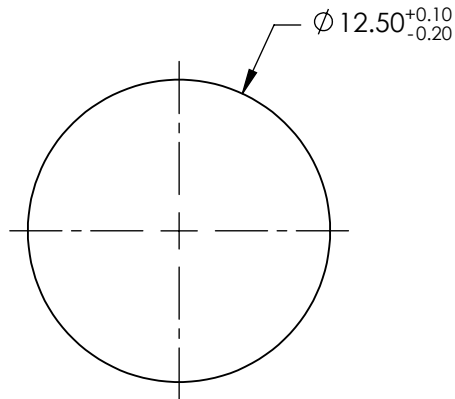
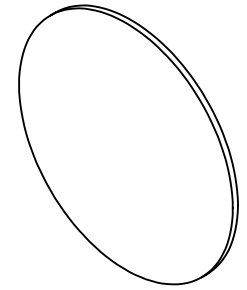


**FOR INFORMATION ONLY:
DO NOT MANUFACTURE
PARTS TO THIS DRAWING**



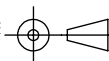
NOTCH FILTER

SPECIFICATIONS SUBJECT TO CHANGE WITHOUT NOTICE
DIMENSIONS ARE FOR REFERENCE ONLY

| | VALUE |
|----------------------------|----------------------------|
| CLEAR APERTURE | $\varnothing 11.50$ |
| CENTER WAVELENGTH | $647 \pm 12.94 \text{ nm}$ |
| FULL WIDTH HALF MAX (FWHM) | $\leq 51.76 \text{ nm}$ |
| OPTICAL DENSITY | ≥ 6.0 |
| TRANSMISSION | $\geq 85\%$ |

EO® **Edmund Optics**®

THIRD ANGLE
PROJECTION



TITLE

647nm, 12.5 mm Dia., OD 6.0 Ultra-Thin Notch
Filter

ALL DIMS IN

mm

DWG NO

14761

SHEET
1 OF 1