

0.5mW 220V Random, HeNe Laser



Low-Noise Lumentum Helium-Neon Laser with self-contained power supply



Stock #61-382 CLEARANCE CONTACT US

⊖ 1 ⊕ **A\$2,576⁰⁰**

ADD TO CART

Volume Pricing

Qty 1+	A\$2,576.00 each
Need More?	Request Quote

Product Downloads



General

Warm-Up Time (minutes):
10.00

Note:
For Use in European Markets that Utilize 220V or
Requires a 110V to 220V Inversion

Manufacturer:
Lumentum

Type of Laser:

HeNe	
II	Laser Class - CDRH:
12,000	Operating Lifetime (hours):
1508-2	Model Number:

Physical & Mechanical Properties

2.50 x 2.00 x 7.00	Dimensions (inches):
1.20	Weight (lbs):

Optical Properties

Random	Polarization:
>95% TEM ₀₀	Spatial Mode:
632.80	Wavelength (nm):
±3	Beam Diameter Tolerance (%):
±3	Beam Divergence Tolerance (%):
0.48	Beam Diameter (mm):
1.7	Beam Divergence (mrad):
Red	Color:

Electrical

>0.5	Output Power (mW):
±2.5	Power Stability (%):
30 Hz - 10 MHz 1.0%	RMS Noise:
1090	Longitudinal Mode Spacing, Nominal (MHz):
0.5	Minimum Output Power, TEM₀₀ (mW):

Hardware & Interface Connectivity

Power Supply Required and Sold Separately: USA: #11-378 Europe: #35-224 Japan: Not Available Korea: Not Available China: #11-378	Power Supply:
Free Space	Output Type:
220	Input Voltage (V):

Regulatory Compliance

Exempt	RoHS 2015:
View	Certificate of Conformance:

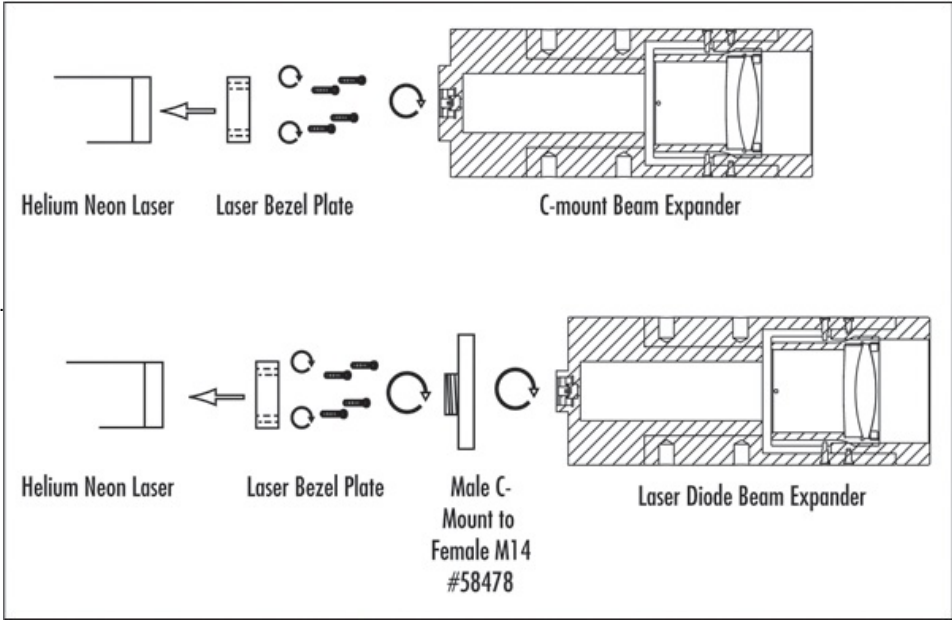
Product Details

- Low Noise
- Self-Contained Power Supply
- Small Size

Lumentum Helium-Neon (HeNe) Lasers feature hard-sealed internal mirrors and small physical sizes. Due to low noise, the lasers offer increased laser reliability, greater design flexibility, and enhanced performance. The base of the laser is slotted for lab table mounting. These Lumentum HeNe Lasers also feature self-contained power supplies for simple system integration. Typical applications include alignment, metrology, and inspection.

Note: Lumentum was previously known as JDSU. These HeNe lasers comply with 21CFR1040 and IEC 825-1:1993.

Technical Information



Beam Expander Mounting Configurations Click on an item below to be brought to that item's product page.

;