

0.5" Travel, X Axis, Micro Series with Covered Rails (B)



Stock #56-422 **4 In Stock**

⊖ 1 ⊕ A\$571²⁰

ADD TO CART

Volume Pricing

Qty 1+	A\$571.20 each
Need More?	Request Quote

Product Downloads

General

English **Type:**

With Covered Rails **Note:**

Physical & Mechanical Properties

Linear (X) **Type of Movement:**

Ball Bearing	Guide System:
Center Drive	Drive Orientation:
19.1 x 44.2	Stage Size (mm):
12.7	Travel (mm):
0.5	Travel (inches):
0.275" (7.0mm) Thru with 5/16-24 TPI Thread	Center Hole:
Aluminum Body, Stainless Steel Rails	Construction:
0.34	Load Capacity, Normal (kg):
0.75 x 1.74	Stage Size (inches):
1.5	Straight Line Accuracy (µm):
20	Weight (g):

Optical Properties

0.01	Wobble (mrad):
------	-----------------------

Hardware & Interface Connectivity

Fine Screw (80 Pitch)	Type of Drive:
-----------------------	-----------------------

Regulatory Compliance

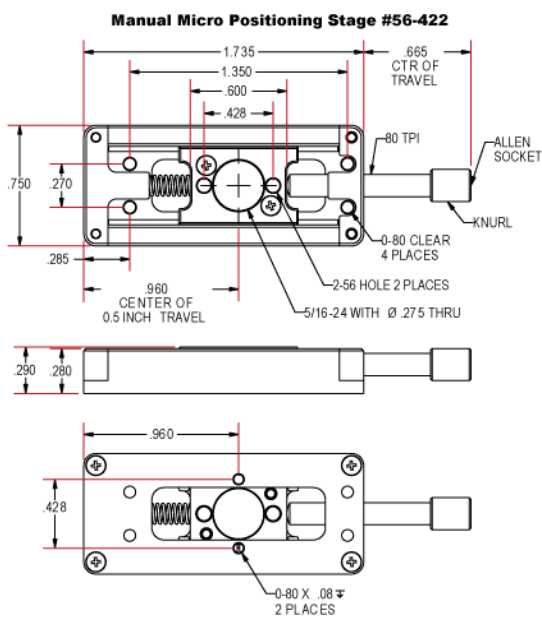
Compliant	RoHS 2015:
View	Certificate of Conformance:
Compliant	REACH 241:

Product Details

- Two Micro Sizes Available
- Versions with Covered Rails
- Three Travel Selections
- X, XY, and XYZ Axis Models

These stages are a dimensional breakthrough and the smallest positioners available today. Positive spring loaded carriage provides precise, smooth motion with no backlash. Straight line accuracy under 2 microns. Features fine 80 TPI lead screw drive. The larger series, Stage Size B, are for longer travel, higher load applications. Fully metric compatible clearance holes. Covered Rail versions are slightly wider, but offer protection for the guide rails. Accessories allow for mounting our precision pinholes for spatial filtering applications. Anodized aluminum construction with stainless rails.

Technical Information



Units: inches