

[See all 1 Products in Family](#)

## 0.75X to 3X Microscope Body w/ One 20X Eyepiece, Dual Tube



#55-150

Stock **#55-150** [CONTACT US](#)

- 1 + A\$1,368<sup>00</sup>

**ADD TO CART**

### Volume Pricing

Qty 1-4	A\$1,368.00 each
Qty 5+	A\$1,310.40 each
Need More?	<a href="#">Request Quote</a>

### Product Downloads

#### General

Imaging System **Type:**

Edmund Optics® **Manufacturer:**

#### Sensor

2/3" **Maximum Sensor Format:**

## Regulatory Compliance

Certificate of Conformance:

[View](#)

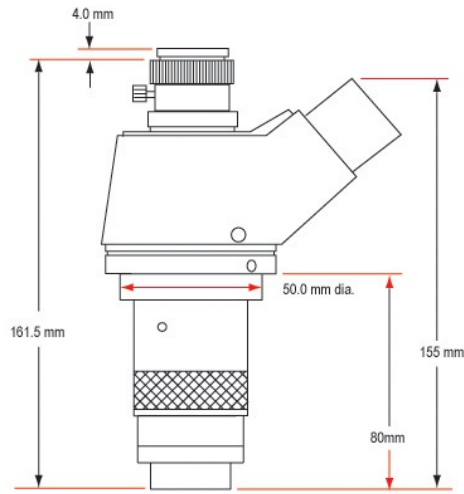
## Product Details

- Continuous 4:1 Zoom Range
- Magnifications as High as 200X
- Video Capable
- Fixed Working Distance

For applications requiring continuous zoom capabilities, our Zoom Inspection Microscope line offers the flexibility and ranges of magnification required to handle most requirements. Two 4:1 zoom objective magnifications are available, 0.75X to 3X and 2.5X to 10X. Utilizing different eyepieces, magnifications as high as 200X and as low as 7.5X can be obtained. Video capabilities available for each option. Fiber optic ring light guides are recommended illumination for these systems. Mounting for these zoom microscopes can be done via rack and pinion positioning. Image will be inverted.

## Technical Information

**Zoom Inspection Microscope Head-  
0.75X to 3X Microscope Body w/ one 20X Eyepiece, Dual Tube, Video/Visual**



Microscope Model	Working Distance	10X Eyepiece		15X Eyepiece		20X Eyepiece	
		Mag.	FOV (mm)	Mag.	FOV (mm)	Mag.	FOV (mm)
0.75X - 3X Visual	60mm	7.5X - 30X	20 - 6	11.25X - 45X	17 - 4.4	15X - 60X	15.5 - 3.7
0.75X - 3X Visual / Video	60mm	7.5X - 30X	20 - 6	11.25X - 45X	17 - 4.4	15X - 60X	15.5 - 3.7
2.5X - 10X Visual / Video	36mm	25X - 100X	7.2 - 1.8	37.5X - 150X	4.8 - 1.2	50X - 200X	4 - 0.9

Microscope Model	Field of View	System Magnification	Working Distance
0.75X - 3X Visual / Video	8mm - 2mm	36X - 144X	60mm
2.5X - 10X Visual / Video	2.56mm - 0.64mm	120X - 480X	36mm

**Note:** These specifications are for a system using a 1/2" sensor camera and a 15.1" monitor.

System #52-353 Includes	Stock No.
Trinocular Microscope Body	<a href="#">#52-352</a>
Hitachi KP-D20B Camera	<a href="#">#55-837</a>
15.1" LCD Monitor	<a href="#">#56-522</a>
Rack and Pinion Movement	<a href="#">#03-609</a>
Standard Lab Base	<a href="#">#85-347</a>
9" Vertical Post	<a href="#">#39-350</a>
Y-C Cable (6 ft.)	<a href="#">#39-255</a>
F.O. Illumination Source (110v)	<a href="#">#55-718</a>
Fiber Optic Ring Guide	<a href="#">#54-175</a>
Fiber Optic Adapter	<a href="#">#38-944</a>