

## 0.8mW 220V Linear, HeNe Laser



Low-Noise Lumentum Helium-Neon Laser with self-contained power supply

Stock #61-374 [CONTACT US](#)

- 1 + A\$2,576.<sup>00</sup>

**ADD TO CART**

### Volume Pricing

Qty 1+	A\$2,576.00 each
Need More?	<a href="#">Request Quote</a>

### Product Downloads



### General

10.00 **Warm-Up Time (minutes):**

**Note:**  
For Use in European Markets that Utilize 220V or  
Requires a 110V to 220V Inversion

Lumentum **Manufacturer:**

HeNe **Type of Laser:**

**Laser Class - CDRH:**

IIIa

Operating Lifetime (hours):

12,000

Model Number:

1507P-2

## Physical & Mechanical Properties

Dimensions (inches):

2.50 x 2.00 x 7.00

Weight (lbs):

1.20

## Optical Properties

Polarization:

500:1

Spatial Mode:

>95% TEM<sub>00</sub>

Wavelength (nm):

632.80

Beam Diameter Tolerance (%):

±3

Beam Divergence Tolerance (%):

±3

Beam Diameter (mm):

0.48

Beam Divergence (mrad):

1.7

Color:

Red

## Electrical

Output Power (mW):

>0.8

Power Stability (%):

±2.5

RMS Noise:

30 Hz - 10 MHz 1.0%

Longitudinal Mode Spacing, Nominal (MHz):

1090

Minimum Output Power, TEM<sub>00</sub> (mW):

0.8

## Hardware & Interface Connectivity

Power Supply:

Power Supply Required and Sold Separately.

USA: [#11-378](#)

Europe: [#35-224](#)

Japan: Not Available

Korea: Not Available

China: [#11-378](#)

Output Type:

Free Space

Input Voltage (V):

220

## Regulatory Compliance

RoHS 2015:

[Exempt](#)

Certificate of Conformance:

[View](#)

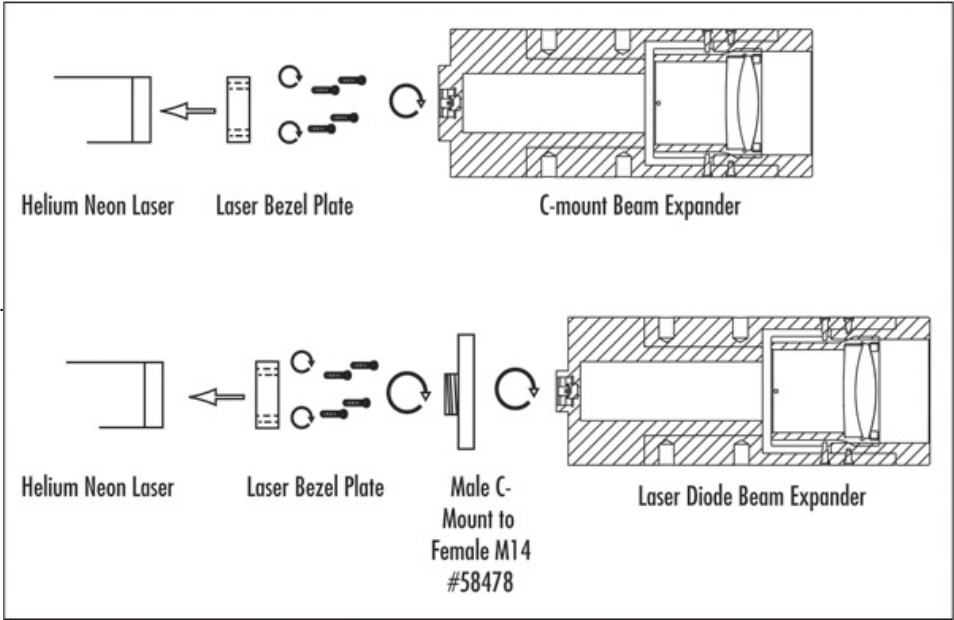
## Product Details

- Low Noise
- Self-Contained Power Supply
- Small Size

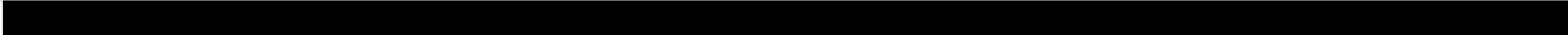
Lumentum Helium-Neon (HeNe) Lasers feature hard-sealed internal mirrors and small physical sizes. Due to low noise, the lasers offer increased laser reliability, greater design flexibility, and enhanced performance. The base of the laser is slotted for lab table mounting. These Lumentum HeNe Lasers also feature self-contained power supplies for simple system integration. Typical applications include alignment, metrology, and inspection.

**Note:** Lumentum was previously known as JDSU. These HeNe lasers comply with 21CFR1040 and IEC 825-1:1993.

## Technical Information



Beam Expander Mounting Configurations Click on an item below to be brought to that item's product page.



;