

100X EO M Plan Apo ULWD Infinity Corrected



50XEOMPlan Apo Long Working Distance Infinity Corrected, #59-879

Stock **#59-882** **3 In Stock**

⊖ 1 ⊕ **A\$7,984⁰⁰**

ADD TO CART

Volume Pricing	
Qty 1+	A\$7,984.00 each
Need More?	Request Quote

Product Downloads

General

Compatible Tube Lens Focal Length (mm):
Focal Length: 200mm

Microscope Objective **Type:**

Infinity Corrected **Style:**

Physical & Mechanical Properties

Field of View (mm):
0.24

82.00	Length (mm):
82.00	Length excluding Threads (mm):
34	Maximum Diameter (mm):
340.00	Weight (g):

Optical Properties

0.064mm	Horizontal Field of View, 1/2" Sensor:
0.088mm	Horizontal Field of View, 2/3" Sensor:
0.128mm	Horizontal Field of View, 1" Sensor:
2.00	Focal Length FL (mm):
100X	Magnification:
0.55	Numerical Aperture NA:
0.5	Resolving Power (µm):
0.90	Depth of Field (µm):
0.24	Field of View, 24 Diameter Field Eyepiece (mm):
13.0	Working Distance (mm):
390 - 780	Wavelength Range (nm):
24	Field Number (mm):
95	Parfocal Length (mm):
N/A	Immersion Liquid:

Threading & Mounting

M26 x 36 TPI	Mounting Threads:
--------------	--------------------------

Environmental & Durability Factors

+10 to +40	Operating Temperature (°C):
<85% with no condensation	Operating Humidity:

Regulatory Compliance

View	Certificate of Conformance:
----------------------	------------------------------------

Product Details

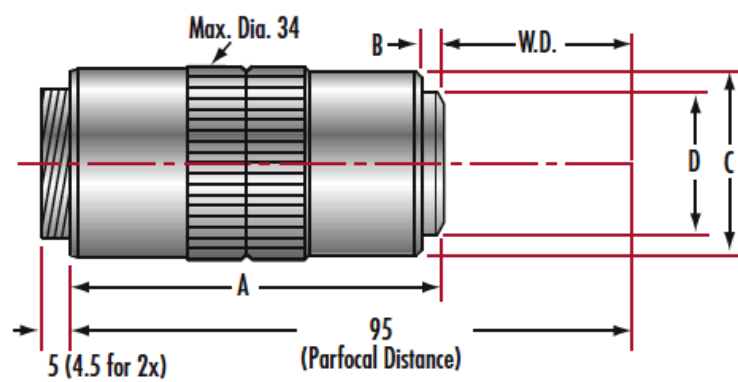
- High Quality Optics in a Plan Achromat Design
- Long Working Distance Options
- Sub-Micron Resolving Power

EO Infinity Corrected Long Working Distance Objectives are made to the highest quality and standards, utilizing a strain-free optical system. They maintain a long working distance and offer high numerical apertures. With resolving power from 5 to 0.34 microns, these objectives work for a wide array of applications. All stated magnifications are based on a tube lens focal length of 200mm. EO Infinity Corrected Long Working Distance Objectives' mounting thread is M26 x36 TPI. The objectives work with all Mitutoyo parts and can be placed directly in a system currently utilizing Mitutoyo objectives.

Technical Information

	Stock #	A	B	C	D	E
2XMPlan APO	#59-875	61	—	32	27.5	34
5XMPlan APO	#59-876	61	—	32	25	34
10XMPlan APO	#59-877	61.5	2.2	32	25.5	34

20XMPlan APO	#59-878	75	3.2	32	26.7	34
50XMPlan APO	#59-879	82	—	32	25.5	34
100XMPlan APO	#59-880	92	—	32	26	34
50XMPlan APO ULWD	#59-881	74.5	—	32	25.5	34
100XMPlan APO ULWD	#59-882	82	—	32	26	34



Units: mm