

TECHSPEC® 10mm Schmidt-Pechan Prism



TECHSPEC® Pechan Prism

Stock **#36-038** **20+ In Stock**

⊖ 1 ⊕ A\$718⁰⁰

ADD TO CART

Volume Pricing	
Qty 1-5	A\$718.40 each
Qty 6-25	A\$574.40 each
Qty 26-99	A\$537.60 each
Need More?	Request Quote

Product Downloads

General

Schmidt-Pechan Prism **Type:**

Physical & Mechanical Properties

20.2 **Height (mm):**

12.99 **Thickness (mm):**

±0.1 Dimensional Tolerance (mm):

14.00 Width (mm):

Optical Properties

Coating: VS 0° & Aluminized

Substrate: N-BK7

Surface Quality: 40-20

Image Orientation: Right-Handed

Coating Specification: Entrance/Exit Faces: $R_{avg} \leq 0.4\%$ @ 425 - 675nm
Roof: $R_{avg} > 85\%$ @ 400 - 700nm w/Black Overpaint

Ray Deviation (°): 0

Wavelength Range (nm): 400 - 700

Ray Deviation Tolerance (arcmin): ±10

Power (fringes) @ 632.8nm: 1.00

Irregularity (fringes) @ 632.8nm: 0.25

Regulatory Compliance

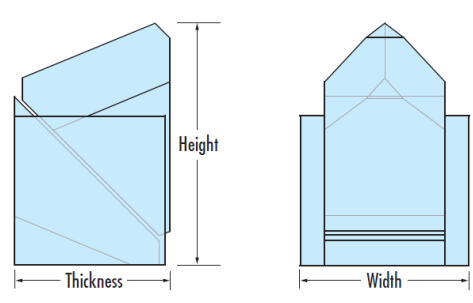
Certificate of Conformance: [View](#)

Product Details

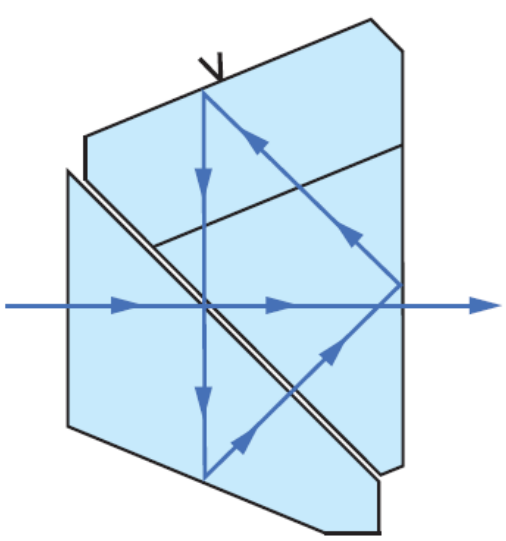
- Provides Inline Image Rotation of 180°
- Compact Design for OEM Integration
- Air Spaced for Optimal Performance

TECHSPEC® Schmidt-Pechan Prisms leverage Edmund Optics' manufacturing expertise to deliver a precision inline instrumentation prism to rotate an image by 180 degrees. This image rotation is employed in many direct view applications and replaces a relay prism or lens system for a more compact optical train. Overall clarity of the system is ensured by adding both an anti-reflective and metallic coating to each prism. The TECHSPEC® Schmidt-Pechan Prisms feature 5 arcsecond roof angle tolerances to maintain image resolution.

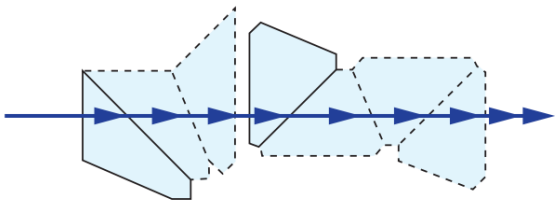
Technical Information



#36-038



Schmidt-Pechan Prism Ray Path



Schmidt-Pechan Prism Tunnel Diagram

;