

**TECHSPEC® 10mm Uncoated, Fused Silica Penta Prism**



Stock **#49-017** **20+ In Stock**

⊖ 1 ⊕ **A\$281<sup>.60</sup>**

**ADD TO CART**

Volume Pricing

Qty 1-5	<b>A\$281.60</b> each
Qty 6-24	<b>A\$225.60</b> each
Qty 25-49	<b>A\$211.20</b> each
Need More?	<a href="#">Request Quote</a>

Product Downloads

**General**

Penta Prism **Type:**

**Physical & Mechanical Properties**

±0.10 **Dimensional Tolerance (mm):**

Protective as needed **Bevel:**

Length of Legs (mm):

10.00

## Optical Properties

Uncoated **Coating:**

**Fused Silica** (Corning 7980) **Substrate:** □

20-10 **Surface Quality:**

±1 **Angle Tolerance (arcmin):**

Right-Handed **Image Orientation:**

90 **Ray Deviation (°):**

200 - 2200 **Wavelength Range (nm):**

0.20 **Power (fringes) @ 632.8nm:**

0.20 **Irregularity (fringes) @ 632.8nm:**

## Regulatory Compliance

[View](#) **Certificate of Conformance:**

### Need different specs or modifications?

Edmund Optics offers comprehensive custom manufacturing services for optical and imaging components tailored to your specific application requirements. Whether in the prototyping phase or preparing for full-scale production, we provide flexible solutions to meet your needs. Our experienced engineers are here to assist—from concept to completion.

Our capabilities include:

- Custom dimensions, materials, coatings, and more
- High-precision surface quality and flatness
- Tight tolerances and complex geometries
- Scalable production—from prototype to volume

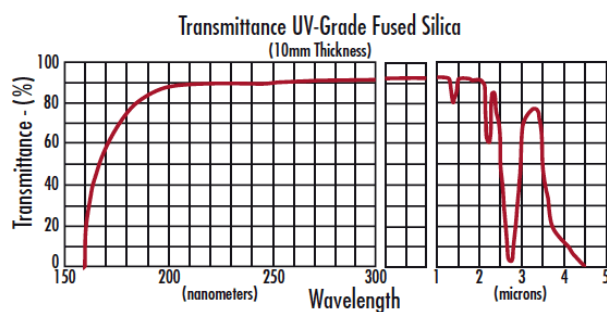
Learn more about our [custom manufacturing capabilities](#) or submit an inquiry [here](#).

## Product Details

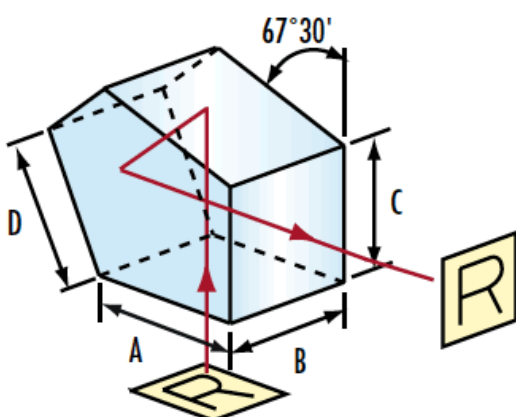
- Ray Deviation of 90°
- Right Handed Image
- Optical Tool for Defining a Right Angle
- Additional [Penta Prism](#) Options Available

Penta prisms are five-sided prisms featuring a ray deviation of 90° and a right handed image. The UV-AR coated options also have aluminized reflecting surfaces for increased efficiency. Slight movement of the prism does not affect the true right angle at which light rays are reflected, making a penta prism the ideal optical tool for defining a right angle in an optical system. TECHSPEC® UV Fused Silica Penta Prisms are made from UV fused silica which features low thermal expansion and excellent transmission throughout the UV, VIS, and NIR spectral ranges.

## Technical Information



UV FS Transmission Curve



Stock No.	A	B
#49-016	5.00mm	6.10mm
#49-020		
#49-017	10.00mm	11.95mm
#49-021		
#49-018	20.00mm	21.65mm
#49-022		
#49-019	25.00mm	27.90mm
#49-023		

