

10X DIN Semi-Plan Intl Standard Objective



Stock #38-342 **20+ In Stock**

⊖ 1 ⊕ A\$426⁰⁰

ADD TO CART

| Volume Pricing | |
|----------------|-------------------------------|
| Qty 1-9 | A\$426.40 each |
| Qty 10-24 | A\$384.00 each |
| Need More? | Request Quote |

Product Downloads

General

Semi-Plan **Type:**

Designed to include a cover glass with 0.17mm in thickness **Note:**

Physical & Mechanical Properties

38.70 **Length excluding Threads (mm):**

Maximum Diameter (mm):

Optical Properties

| | |
|------|--|
| 10X | Magnification: |
| 0.25 | Numerical Aperture NA: |
| 1.80 | Field of View, 18 Diameter Field Eyepiece (mm): |
| 10.0 | Working Distance (mm): |

Threading & Mounting

| | |
|------------------------|--------------------------|
| RMS / 20.32mm x 36 TPI | Mounting Threads: |
|------------------------|--------------------------|

Regulatory Compliance

| | |
|----------------------------------|------------------------------------|
| Exempt | RoHS 2015: |
| View | Certificate of Conformance: |
| Contains SVHC(s) | Reach 240: |

Product Details

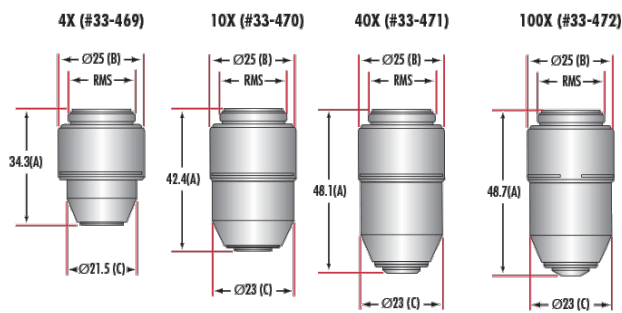
- For Use with RMS Thread Microscopes
- AR Coated Optics
- 4X to 100X Magnifications Available

International Standard Microscope Objectives can be used with most major brands of microscopes that utilize RMS mounting threads. Our product offering features DIN 45mm standard objectives with achromatic and semi-plan designs. The achromatic design ensures proper color correction for broadband white light sources, while semi-plan designs have an added feature to create a flatter image field. International Standard Microscope Objectives include AR-coated optics to ensure maximum transmission and reduce internal reflections in the optical assembly. All 20X to 100X objectives have spring-loaded (retractable) front ends to prevent slide damage.

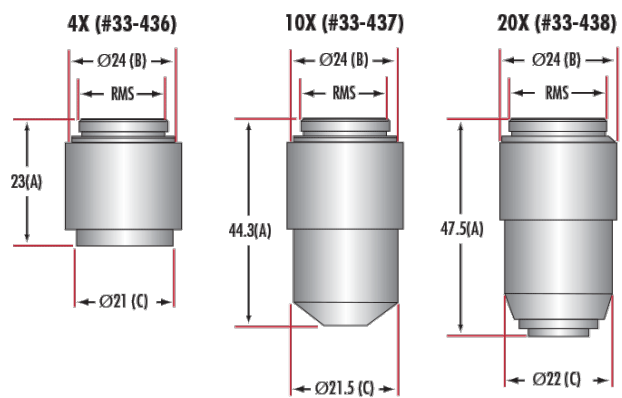
Note: Oil immersion is recommended for all 100X objectives with an NA higher than 1.0 (part number [#86-834](#)).

Technical Information

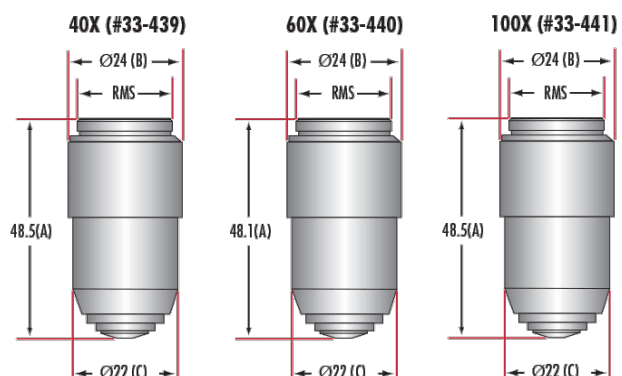
DIN Objectives - Micro Plan



DIN Objectives - Achromatic



DIN Objectives - Achromatic



| Magnification | A | B | C |
|---------------|--------|------|--------|
| 4X | 23mm | 24mm | 21mm |
| 10X | 44.3mm | 24mm | 21.5mm |
| 20X | 47.5mm | 24mm | 22mm |
| 40X | 48.5mm | 24mm | 22mm |
| 60X | 48.1mm | 24mm | 22mm |
| 100X | 48.5mm | 24mm | 22mm |

| Magnification | A | B | C |
|---------------|--------|------|--------|
| 4X | 34.3mm | 25mm | 21.5mm |
| 10X | 42.4mm | 25mm | 23mm |
| 40X | 48.1mm | 25mm | 23mm |
| 100X | 48.7mm | 25mm | 23mm |

;