

10X DIN Semi-Plan Intl Standard Objective



Stock #38-342 **20+ In Stock**

⊖ 1 ⊕ A\$426⁰⁰

ADD TO CART

Volume Pricing	
Qty 1-9	A\$426.40 each
Qty 10-24	A\$384.00 each
Need More?	Request Quote

Product Downloads

General

Semi-Plan **Type:**

Designed to include a cover glass with 0.17mm in thickness **Note:**

Physical & Mechanical Properties

38.70 **Length excluding Threads (mm):**

Maximum Diameter (mm):

Optical Properties

10X	Magnification:
0.25	Numerical Aperture NA:
1.80	Field of View, 18 Diameter Field Eyepiece (mm):
10.0	Working Distance (mm):

Threading & Mounting

RMS / 20.32mm x 36 TPI	Mounting Threads:
------------------------	--------------------------

Regulatory Compliance

Exempt	RoHS 2015:
View	Certificate of Conformance:
Contains SVHC(s)	Reach 240:

Product Details

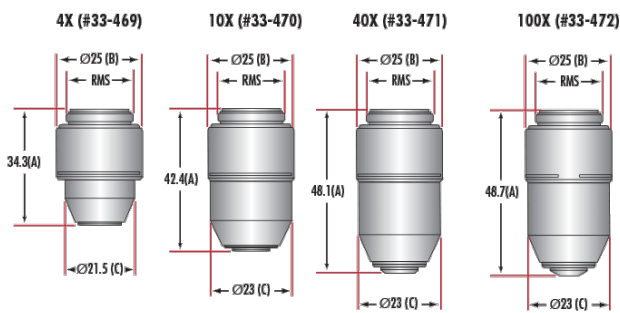
- For Use with RMS Thread Microscopes
- AR Coated Optics
- 4X to 100X Magnifications Available

International Standard Microscope Objectives can be used with most major brands of microscopes that utilize RMS mounting threads. Our product offering features DIN 45mm standard objectives with achromatic and semi-plan designs. The achromatic design ensures proper color correction for broadband white light sources, while semi-plan designs have an added feature to create a flatter image field. International Standard Microscope Objectives include AR-coated optics to ensure maximum transmission and reduce internal reflections in the optical assembly. All 20X to 100X objectives have spring-loaded (retractable) front ends to prevent slide damage.

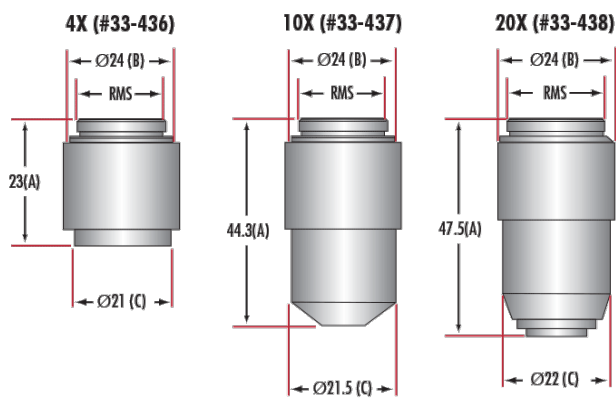
Note: Oil immersion is recommended for all 100X objectives with an NA higher than 1.0 (part number [#86-834](#)).

Technical Information

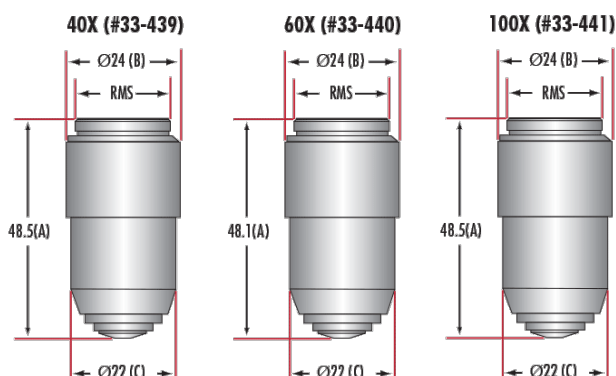
DIN Objectives - Micro Plan



DIN Objectives - Achromatic



DIN Objectives - Achromatic



Magnification	A	B	C
4X	23mm	24mm	21mm
10X	44.3mm	24mm	21.5mm
20X	47.5mm	24mm	22mm
40X	48.5mm	24mm	22mm
60X	48.1mm	24mm	22mm
100X	48.5mm	24mm	22mm

Magnification	A	B	C
4X	34.3mm	25mm	21.5mm
10X	42.4mm	25mm	23mm
40X	48.1mm	25mm	23mm
100X	48.7mm	25mm	23mm

;