

## 304.8mm/12.0" Optic Dia., Optical Cell Kinematic Mount



Stock #12-227 **1 In Stock**

A\$8,768<sup>00</sup>

**ADD TO CART**

### Volume Pricing

Qty 1-4	A\$8,768.00 each
Qty 5+	A\$8,171.52 each
Need More?	<a href="#">Request Quote</a>

### Product Downloads

### General

Type of Optics:  
Circular

Range:  
7°

Inner Diameter (inches):  
12.01

Optic Holding Style:

## Physical & Mechanical Properties

11.5 **Clear Aperture CA (inches):**

292.1 **Clear Aperture CA (mm):**

203.2 **Optical Centerline (mm):**

16.00 x 8.00 x 15.00 **Dimensions (inches):**

406.4 x 203.2 x 381.0 **Dimensions (mm):**

43.3 **Weight (lbs):**

**Construction:**  
Black Anodized Aluminum, Stainless Steel

0.031 per turn **Resolution (inches):**

12 **Diameter of Compatible Optics (inches):**

8 **Optical Centerline (inches):**

## Threading & Mounting

304.80 **Size of Compatible Optics (mm):**

41.05 **Thickness of Compatible Optics (mm):**

<1.62 **Thickness of Compatible Optics (inches):**

## Regulatory Compliance

**RoHS 2015:**  
[Compliant](#)

**Certificate of Conformance:**  
[View](#)

## Product Details

- Robust Kinematic Mounts for Larger Diameter Optics
- Ball Pivot and Fine Pitch Screws Provide Pitch and Roll
- 50% Greater Resolution than Micrometer Adjustments

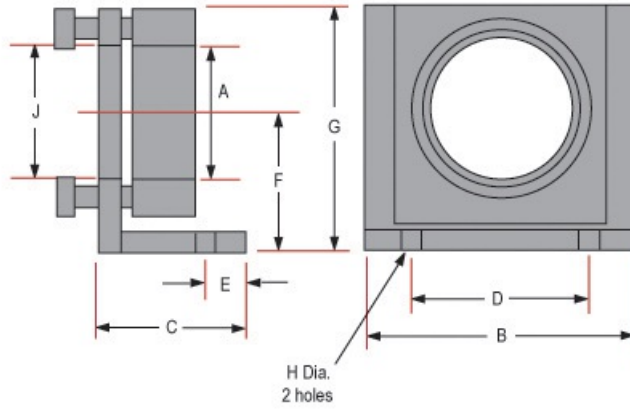
Optical Cell Kinematic Mounts provide highly stable kinematic movement with two axis tilt (pitch and roll) provided by a precise ball pivot adjustment and an orthogonal three-point suspension. Adjustment is made by three 64-pitch screws (two 64-pitch screws for 1-2" diameter model). For the 6" diameter model, adjustment is made by two 64-pitch screws for and with three 32-pitch screws for 8" up to 12.5" diameter models. Optical Cell Kinematic Mounts feature fine pitch screws, which permit 50% greater resolution than a micrometer. An angled base on the mount allows for stand-alone installation and mounting. These mounts have integral optic cell design allowing optics to be held undistorted.

**Note:** For mounting 12" diameter optics in our 12.5" Diameter Optical Mount, use the 12.5" to 12" Adapter Kit (#12-226). The Adapter Kit and 12.5" Diameter Optical Mount are offered together as #12-227.

## Technical Information

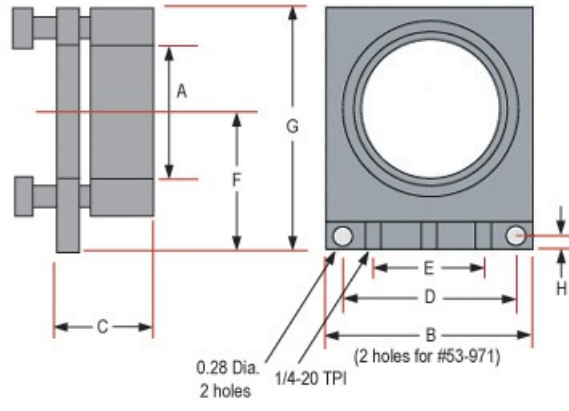
Optic Diameter	A	B	C	D	E	F	G	H	I	J	K	Stock No.
1-2"	2.25-20 TPI	3.75	2.00	2.00	0.38	2.00	3.50	0.28	-	2.12	-	<a href="#">#53-964</a>
3"	3.25-20 TPI	5.75	3.00	4.00	1.25	3.38	6.25	0.28	-	5.00	-	<a href="#">#53-965</a>
4.25"	4.625-20 TPI	5.75	3.00	4.00	1.25	3.38	6.25	0.28	-	5.00	-	<a href="#">#57-872</a>

**1" - 4.25" Angled Optical Cell Mounts**



Units: inches

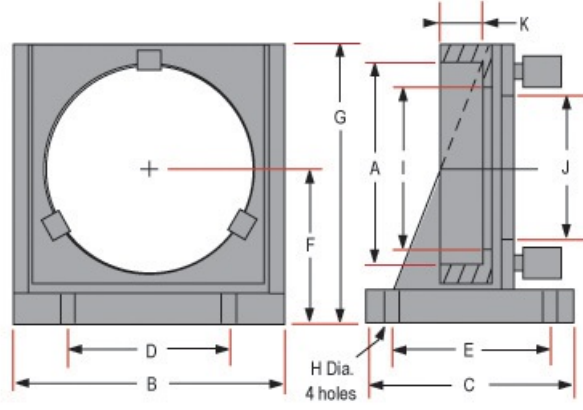
**4.25" Straight Optical Cell Mount**



Units: inches

Optic Diameter	A	B	C	D	E	F	G	H	I	J	K	Stock No.
6"	6.187-32 TPI	8.00	6.00	5.00	5.00	4.50	8.00	0.28	5.75	6.00	1.19	<a href="#">#36-474</a>
8"	8.06	12.00	7.00	10.00	6.00	6.25	11.50	0.28	7.62	9.00	1.60	<a href="#">#36-476</a>
10"	10.06	16.00	8.00	12.00	6.00	8.00	15.00	0.53	9.58	12.50	1.75	<a href="#">#36-478</a>
12.5"	12.56	16.00	8.00	12.00	6.00	8.00	15.00	0.53	12.08	12.50	2.13	<a href="#">#36-480</a>

**8" - 12.5" Angled Optical Cell Mounts**



Units: inches