

[See all 5 Products in Family](#)

## 12mm Dia. x 60mm FL, Commercial Grade, Plano-Convex Lens



Stock #23-077 CLEARANCE 8 In Stock

[Other Coating Options](#)

1  A\$32.<sup>00</sup>

**ADD TO CART**

Volume Pricing	
Qty 1+	A\$32.80 each
Need More?	<a href="#">Request Quote</a>

### Product Downloads

#### General

Plano-Convex Lens **Type:**

#### Physical & Mechanical Properties

12.00 +0.00/-0.10 **Diameter (mm):**

6.00 **Centering (arcmin):**

1.41 **Edge Thickness ET (mm):**

Clear Aperture CA (mm):  
≥10.2

## Optical Properties

Effective Focal Length EFL (mm):  
60.00

Back Focal Length BFL (mm):  
58.69

Coating:  
MgF<sub>2</sub> (400-700nm)

Coating Specification:  
R<sub>avg</sub> ≤ 1.75% @ 400 - 700nm

Substrate:   
N-BK7

Focal Length Tolerance (%):  
±1

Radius R<sub>1</sub> (mm):  
31.01

f#:  
5.00

Numerical Aperture NA:  
0.10

## Regulatory Compliance

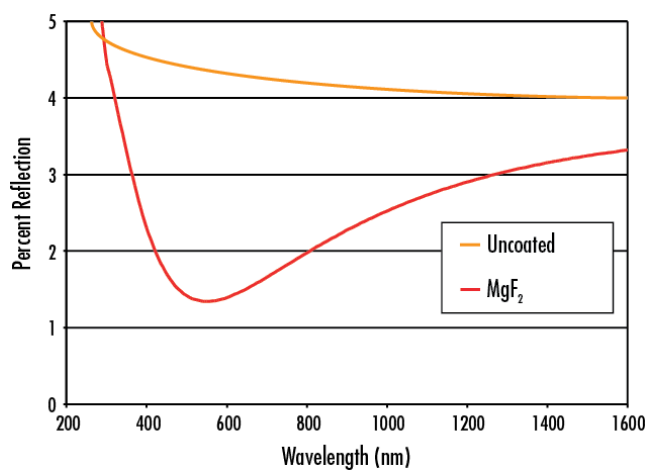
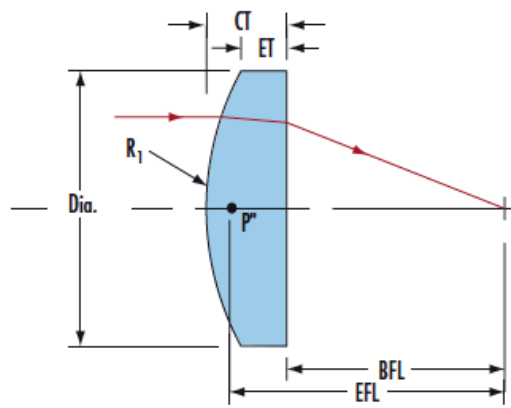
Certificate of Conformance:  
[View](#)

## Product Details

- Feature Standard Designs and Specifications
- Also Available [Uncoated](#)
- For More Options, View [Precision Quality Plano-Convex \(PCX\) Lenses](#)

Plano convex lenses (PCX) have one flat and one outward curving face and a positive focal length. They are ideal for collecting and focusing light in imaging applications. They are also useful in a variety of applications involving emitters, detectors, lasers, and fiber optics. MgF<sub>2</sub> anti-reflection coating offers improved transmission in the visible spectrum. Commercial Grade MgF<sub>2</sub> Coated Plano-Convex (PCX) Lenses offer commercial quality, at an affordable price.

## Technical Information



## Coating Curves