

[See all 34 Products in Family](#)

**TECHSPEC® 1:3.3 with 30mm and 100mm EFL Achromats, 30mm Achromatic Pair**



TECHSPEC Mounted Achromatic Lens Pairs

Stock **#46-006** **1 In Stock**

- 1 + A\$422<sup>00</sup>

**ADD TO CART**

Volume Pricing	
Qty 1-5	A\$422.40 each
Qty 6-25	A\$337.60 each
Qty 26-49	A\$328.00 each
Need More?	<a href="#">Request Quote</a>

Product Downloads

**General**

Relay Lens **Type:**

**Physical & Mechanical Properties**

22.0 **Clear Aperture CA (mm):**

3.09 **Center Air Spacing (mm):**

30 +0.0/-0.10	<b>Housing Diameter (mm):</b>
34 ±0.2	<b>Housing Length (mm):</b>
8	<b>Lens Edge Spacing at Mount (mm):</b>
90.13	<b>Image Distance (mm):</b>
<b>Construction:</b> Achromat Pair in Anodized Aluminum Housing	

## Optical Properties

<a href="#">N-BAF10 / N-SF10 / N-BK7 / N-SF5</a>	<b>Substrate:</b> <input type="checkbox"/>
40-20	<b>Surface Quality:</b>
f/4.09	<b>Working f#:</b>
MgF <sub>2</sub> (400-700nm)	<b>Coating:</b>
R <sub>avg</sub> ≤ 1.75% @ 400 - 700nm	<b>Coating Specification:</b>
30.00	<b>Effective Focal Length EFL A (mm):</b>
100.00	<b>Effective Focal Length EFL B (mm):</b>
1:3.33	<b>Magnification:</b>
19.19	<b>Object Distance (mm):</b>
400 - 700	<b>Wavelength Range (nm):</b>

## Regulatory Compliance

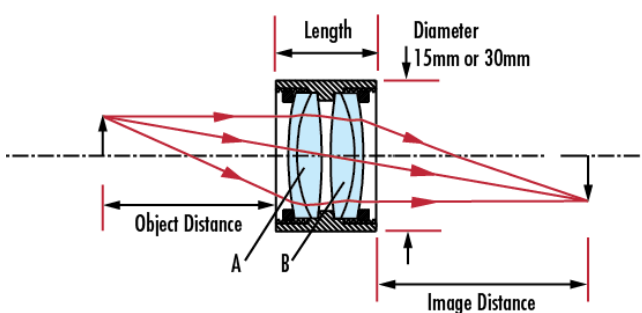
<a href="#">Compliant</a>	<b>RoHS 2015:</b>
<a href="#">Compliant</a>	<b>Reach 209:</b>
<a href="#">View</a>	<b>Certificate of Conformance:</b>

## Product Details

- 15mm and 30mm Diameter Options
- AR Coated Lenses
- Mounted Achromatic Pairs Kits Available

TECHSPEC® Mounted Achromatic Lens Pairs combine popular TECHSPEC® Achromats into common configurations used for relay and projection applications. Packaged in slim-line aluminum housing, each pair is ready for integration into a host of OEM applications, eliminating the need to handle loose optics. 15.0mm pairs can be coupled into C-mount components using [Helicoid Barrel Accessory](#). TECHSPEC Mounted Achromatic Lens Pairs have also been oriented for optimum system performance. All lenses, 15.0mm and 30.0mm, are AR coated. Lower f# pairs may not be ideal for imaging applications depending on the performance requirements. Cylinder lenses can be incorporated into empty barrels in order to generate lines or sheets of light.

## Technical Information



## Coating Curves