

[See all 5 Products in Family](#)

15mm Dia. x 30mm FL, Commercial Grade, Plano-Convex Lens



Stock #23-085 CLEARANCE **20+ In Stock**

A\$32.⁸⁰

ADD TO CART

Volume Pricing	
Qty 1+	A\$32.80 each
Need More?	Request Quote

Product Downloads

General

Plano-Convex Lens **Type:**

Physical & Mechanical Properties

15.00 +0.00/-0.10 **Diameter (mm):**

6.00 **Centering (arcmin):**

1.27 **Edge Thickness ET (mm):**

Clear Aperture CA (mm):

Optical Properties

Effective Focal Length EFL (mm):

30.00

Coating:

MgF₂ (400-700nm)

Coating Specification:

R_{avg} ≤ 1.75% @ 400 - 700nm

Substrate: □

N-SK18

Focal Length Tolerance (%):

±1

Radius R₁ (mm):

19.16

f#:

2.00

Numerical Aperture NA:

0.25

Regulatory Compliance

Certificate of Conformance:

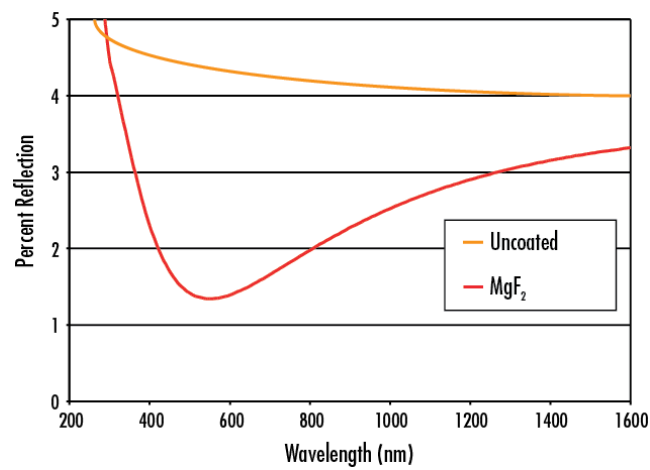
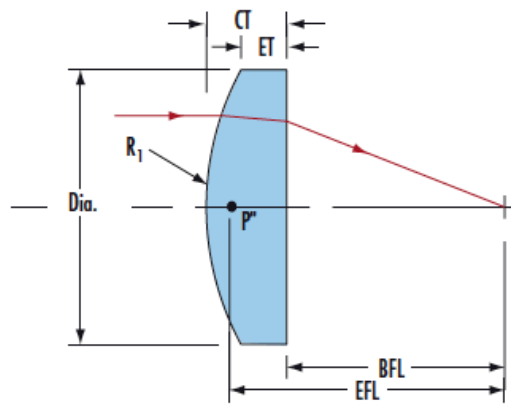
[View](#)

Product Details

- Feature Standard Designs and Specifications
- Also Available [Uncoated](#)
- For More Options, View [Precision Quality Plano-Convex \(PCX\) Lenses](#)

Plano convex lenses (PCX) have one flat and one outward curving face and a positive focal length. They are ideal for collecting and focusing light in imaging applications. They are also useful in a variety of applications involving emitters, detectors, lasers, and fiber optics. MgF₂ anti-reflection coating offers improved transmission in the visible spectrum. Commercial Grade MgF₂ Coated Plano-Convex (PCX) Lenses offer commercial quality, at an affordable price.

Technical Information



Coating Curves