

[See all 5 Products in Family](#)

160mm x 100mm Lab Jack Universal Breadboard Adapter



#12-796: 160mm x 100mm Lab Jack Universal Breadboard Adapter

Stock **#12-796** **5 In Stock**

⊖ 1 ⊕ A\$140⁰⁰

ADD TO CART

Volume Pricing	
Qty 1+	A\$140.80 each
Need More?	Request Quote

Product Downloads

General

Included Hardware:
(4) 1/4-20, 1/2" Long Screws; (4) M6 x 1.0, 12mm Long Screws

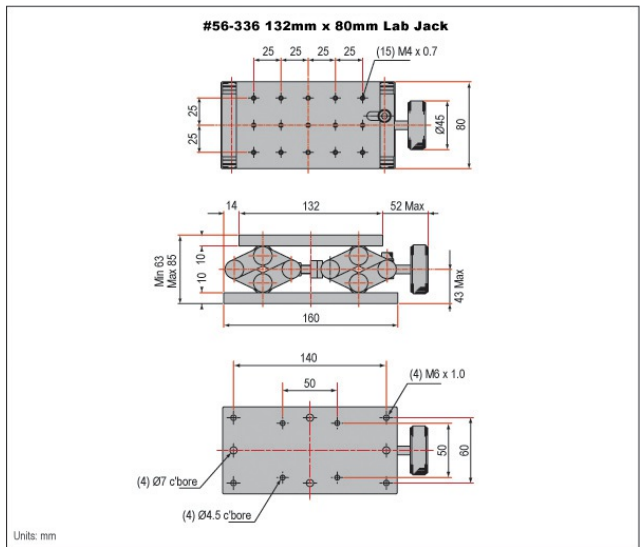
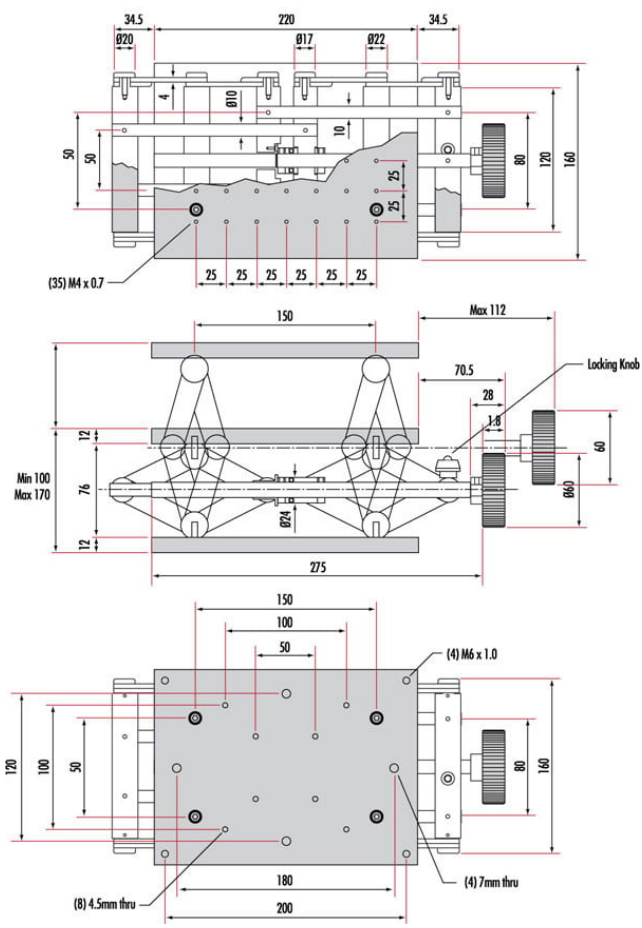
Physical & Mechanical Properties

Length (mm):
164.00

Thickness (mm):
8.00

Width (mm):
140.00

#62-009 220MM X 160MM METRIC LAB JACK



Units: mm