

[See all 10 Products in Family](#)

**TECHSPEC® 25.0mm Diameter x 125.0mm FL, 980nm V-Coat, PCX Lens**



633nm Laser Line Coated Plano-Convex(PCX) Lenses

Stock #69-571 CLEARANCE **1 In Stock**

[Other Coating Options](#)

1  A\$38<sup>00</sup>

**ADD TO CART**

Volume Pricing	
Qty 1+	A\$38.00 each
Need More?	<a href="#">Request Quote</a>

Product Downloads

**General**

Plano-Convex Lens Type:

**Physical & Mechanical Properties**

25.00 +0.0/-0.025 Diameter (mm):

<1 Centering (arcmin):

3.50 ±0.10 Center Thickness CT (mm):

2.28 **Edge Thickness ET (mm):**

24 **Clear Aperture CA (mm):**

Protective as needed **Bevel:**

## Optical Properties

125.00 @ 587.6nm **Effective Focal Length EFL (mm):**

122.70 **Back Focal Length BFL (mm):**

Laser V-Coat (980nm) **Coating:**

$R_{\text{abs}} < 0.25\%$  @ 980nm **Coating Specification:**

[N-BK7](#) **Substrate:**

40-20 **Surface Quality:**

1.5λ **Power (P-V) @ 632.8nm:**

λ/4 **Irregularity (P-V) @ 632.8nm:**

±1 **Focal Length Tolerance (%):**

64.62 **Radius R<sub>1</sub> (mm):**

5.00 **f/#:**

0.10 **Numerical Aperture NA:**

980 **Design Wavelength DWL (nm):**

5 J/cm<sup>2</sup> @ 980nm, 10ns **Damage Threshold, By Design:**

## Regulatory Compliance

[Compliant](#) **Reach 224:**

[View](#) **Certificate of Conformance:**

## Need different specs or modifications?

Edmund Optics offers comprehensive custom manufacturing services for optical and imaging components tailored to your specific application requirements. Whether in the prototyping phase or preparing for full-scale production, we provide flexible solutions to meet your needs. Our experienced engineers are here to assist—from concept to completion.

Our capabilities include:

- Custom dimensions, materials, coatings, and more
- High-precision surface quality and flatness
- Tight tolerances and complex geometries
- Scalable production—from prototype to volume

Learn more about our [custom manufacturing capabilities](#) or submit an inquiry [here](#).

## Product Details

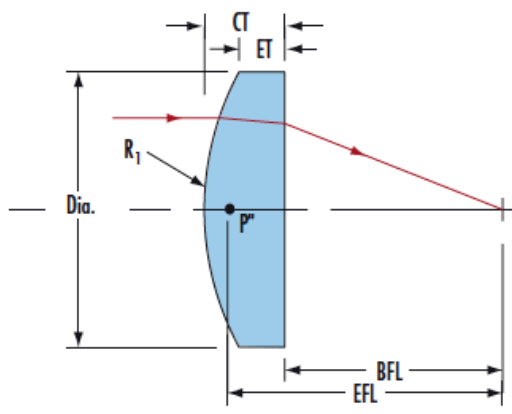
- <0.25% Reflection at 980nm
- BBAR Coating Options Also Available: [MgF<sub>2</sub>](#), [VIS 0°](#), [VIS-NIR](#), [NIR I](#), [NIR II](#)
- [405nm](#), [532nm](#), [633nm](#), [785nm](#), 980nm, [1064nm](#), and [1550nm](#) V-Coated Options Offered

Our standard TECHSPEC® Plano-Convex lenses are available in a variety of laser line V-Coat AR coating options. Designed for maximum throughput at the specified laser wavelength, these lenses are ideal for applications utilizing low power HeNe, Diode, and Nd:YAG laser sources. With a maximum reflection of <0.25% per surface at the design wavelength, the lenses will provide superior transmission in applications utilizing multiple optical components.>

**LASER OPTICS** MADE BY EDMUND OPTICS®

[LEARN MORE](#)

## Technical Information



## Compatible Mounts

;