

[See all 12 Products in Family](#)

25.4mm, Glan-Thompson Mount



Stock #57-571 **20+ In Stock**

- 1 + A\$545⁰⁰

ADD TO CART

Volume Pricing

Qty 1-4	A\$545.60 each
Qty 5-25	A\$491.04 each
Qty 26-49	A\$463.84 each
Need More?	Request Quote

Product Downloads

General

Adjustable - Rotary **Type:**

Cylindrical Tube **Type of Optics:**

Physical & Mechanical Properties

18.0 Clear Aperture CA (mm):

1° Increments:

360 Coarse Rotation (°):

N/A Fine Rotation (°):

Hardware & Interface Connectivity

Standard Type of Drive:

Threading & Mounting

25.4 Size of Compatible Optics (mm):

39.0 (Max.) Thickness of Compatible Optics (mm):

M6 x 1.0 Compatible Post:

Glan-Thompson Type of Mounting Optics:

Regulatory Compliance

[Exempt](#) RoHS 2015:

[View](#) Certificate of Conformance:

[Contains SVHC\(s\)](#) Reach 247:

Product Details

- Coarse and Fine Movement Available
- Black Anodized Aluminum
- [Posts](#) and [Post Holders](#) Required for Mounting

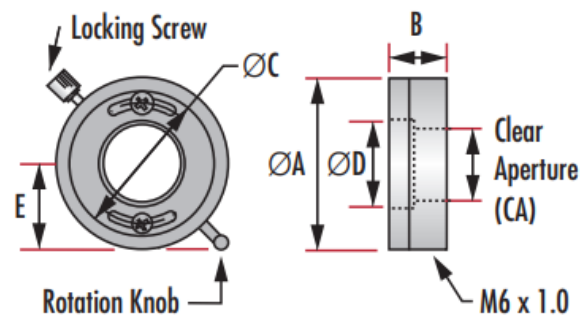
Metric Polarizer Mounts feature secure optic retainer, lever arm for smooth rotation, locking knob for repeatability and 360° scaled vernier. [Posts](#) and [Post Holders](#) are required for mounting to a breadboard. Micrometer version provides fine adjustment. Metric Polarizer Mounts, for Micrometer Driven version only: total travel of the 0.25mm pitch fine adjustment screw is 10°. Total angular rotation per rotation of knob is 20 minutes. *40mm total including 34mm diameter mounting tube.

Technical Information

Diameter of Compatible Optics D	Clear Aperture CA	Drive Type	Mount Diameter A	Mount Thickness B	C	E	Stock No.
Standard							
20.0	17	Standard	50	19	34	24.0	#55-454
25.4	22	Micrometer	69	-	-	33.5	#55-011
25.4	22	Standard	60	20	42	29.5	#55-010
30.0	27	Micrometer	69	-	-	33.5	#57-570
30.0	27	Standard	60	20	42	29.5	#57-569
50.0	47	Micrometer	89	-	-	43.5	#56-329
50.0	47	Standard	80	20	62	39.5	#55-455
Glan-Thompson Polarizer Mbunts							
25.4	18	Micrometer	69	-*	-	33.5	#57-572
25.4	18	Standard	60	20*	42	29.5	#57-571

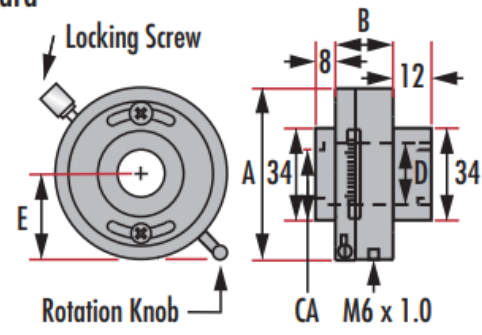
Polarizer Mounts

Standard

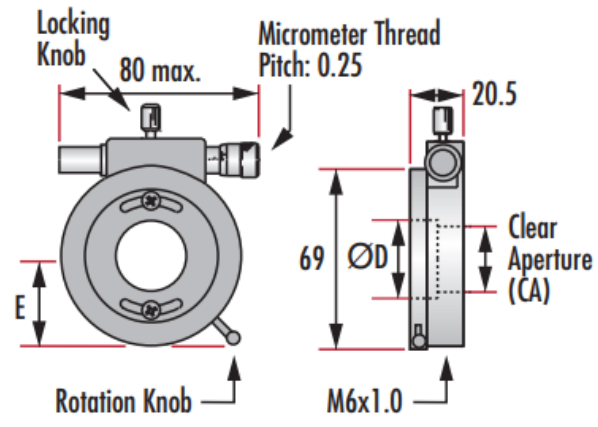


Glan-Thompson Mount

Standard



Micrometer Driven



Micrometer Driven

