

[See all 14 Products in Family](#)

29mm Outer Dia., Zero Aperture, Stainless Steel Leaves



Zero Series

Stock #57-595 **1 In Stock**

⊖ 1 ⊕ A\$187⁰⁰

ADD TO CART

Volume Pricing

Qty 1-4	A\$187.20 each
Qty 5-9	A\$165.44 each
Qty 10-25	A\$152.96 each
Need More?	Request Quote

Product Downloads

Physical & Mechanical Properties

Maximum Aperture (mm):
15.0

Outer Diameter (mm):
29.0

Construction:
Anodized Aluminum Alloy, Stainless Steel Leaves

Full Angular Range of Lever (°):
97.00

3	Lever Diameter (mm):
12.00	Lever Length (mm):
2.50	Lever Position (mm):
Two sets of 6	Number of Leaves:
M1.4 x 0.30mm	Pin Thread & Pitch:
5.00	Thickness (mm):

Optical Properties

0.00	Minimum Aperture (mm):
------	-------------------------------

Environmental & Durability Factors

<400	Operating Temperature (°C):
------	------------------------------------

Regulatory Compliance

Compliant	RoHS 2015:
View	Certificate of Conformance:
Compliant	Reach 247:

Product Details

- Iris Completely Closes
- Corrosion Resistant Housing
- High Heat Resistance
- Burnished Spring Steel and Stainless Spring Steel Leaf Options Available

High Performance Zero Aperture Series Iris Diaphragms provide optimum performance reliability even under the most extreme conditions. High quality materials combined with the highest fabrication guarantee their exceptional performance. Different leaf and aperture diameter options allow these irises to be successfully integrated into a variety of applications including imaging and high temperature environments. High Performance Zero Aperture Series Iris Diaphragms feature housing that is corrosion resistant with a matte finish and black anodized aluminum alloy. Known pin/tab angular deviation allows upfront, accurate assessment of movement requirements.

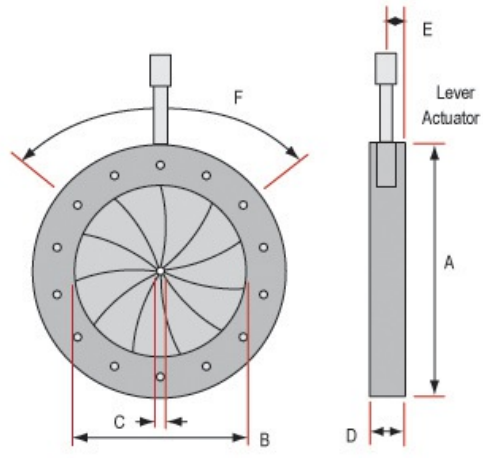
For specific OEM application assistance, please contact our [Applications Engineering Department](#).

Note: [Iris Diaphragm Mounts](#) sold separately.

Technical Information

Outer Diameter A	Maximum Aperture B	Minimum Aperture C	Thickness D	Level Position E	Full Angular Range of Lever F	Stock No.	
94mm	60mm	0mm	9mm	4.5mm	98°	#57-592	
							#57-599
69mm	40mm		6.5mm	3.25mm	96°	#57-591	
							#57-598
48mm	30mm		5mm	2.5mm	100°	#57-590	
							#57-597
39mm	22mm		5mm	2.5mm	99°	#57-589	
							#57-596
29mm	15mm		5mm	2.5mm	97°	#57-588	
							#57-595
25mm	12mm		5mm	2.5mm	96°	#57-587	
							#57-594
117mm	75mm		9.5mm	4.75mm	97°	#57-593	
							#57-600

High Performance Iris Diaphragms



;