

## 30mm, Polarizer Mount



Stock #57-569 **9 In Stock**

- 1 + A\$353.00

**ADD TO CART**

### Volume Pricing

Qty 1-4	A\$353.60 each
Qty 5-25	A\$318.24 each
Qty 26-49	A\$300.64 each
Need More?	<a href="#">Request Quote</a>

### Product Downloads

### General

Adjustable - Rotary **Type:**

Circular **Type of Optics:**

### Physical & Mechanical Properties

Clear Aperture CA (mm):

27.0

Increments:

1°

Coarse Rotation (°):

360

Fine Rotation (°):

N/A

## Hardware & Interface Connectivity

Type of Drive:

Standard

## Threading & Mounting

Size of Compatible Optics (mm):

30.0

Thickness of Compatible Optics (mm):

7.0 (Max.)

Compatible Post:

M6 x 1.0

Type of Mounting Optics:

Polarizer

## Regulatory Compliance

RoHS 2015:

[Exempt](#)

Certificate of Conformance:

[View](#)

Reach 247:

[Contains SVHC\(s\)](#)

## Product Details

- Coarse and Fine Movement Available
- Black Anodized Aluminum
- [Posts](#) and [Post Holders](#) Required for Mounting

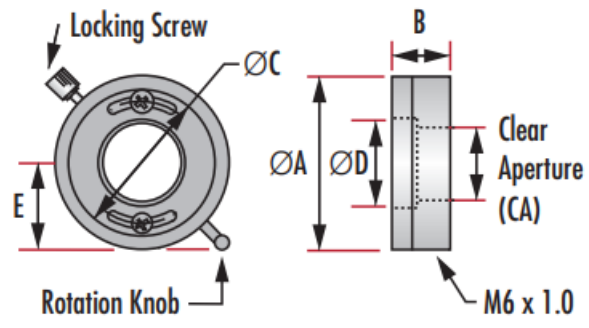
Metric Polarizer Mounts feature secure optic retainer, lever arm for smooth rotation, locking knob for repeatability and 360° scaled vernier. [Posts](#) and [Post Holders](#) are required for mounting to a breadboard. Micrometer version provides fine adjustment. Metric Polarizer Mounts, for Micrometer Driven version only: total travel of the 0.25mm pitch fine adjustment screw is 10°. Total angular rotation per rotation of knob is 20 minutes. \*40mm total including 34mm diameter mounting tube.

## Technical Information

Diameter of Compatible Optics D	Clear Aperture CA	Drive Type	Mount Diameter A	Mount Thickness B	C	E	Stock No.
Standard							
20.0	17	Standard	50	19	34	24.0	<a href="#">#55-454</a>
25.4	22	Micrometer	69	-	-	33.5	<a href="#">#55-011</a>
25.4	22	Standard	60	20	42	29.5	<a href="#">#55-010</a>
30.0	27	Micrometer	69	-	-	33.5	<a href="#">#57-570</a>
30.0	27	Standard	60	20	42	29.5	<a href="#">#57-569</a>
50.0	47	Micrometer	89	-	-	43.5	<a href="#">#56-329</a>
50.0	47	Standard	80	20	62	39.5	<a href="#">#55-455</a>
Glan-Thompson Polarizer Mounts							
25.4	18	Micrometer	69	-*	-	33.5	<a href="#">#57-572</a>
25.4	18	Standard	60	20*	42	29.5	<a href="#">#57-571</a>

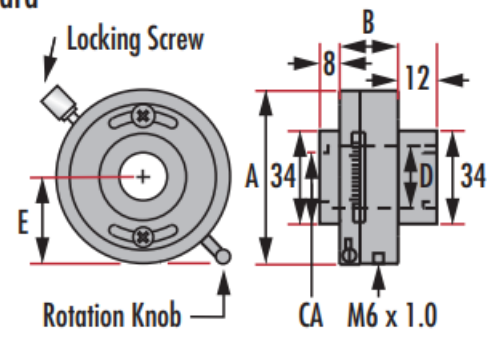
### Polarizer Mounts

Standard

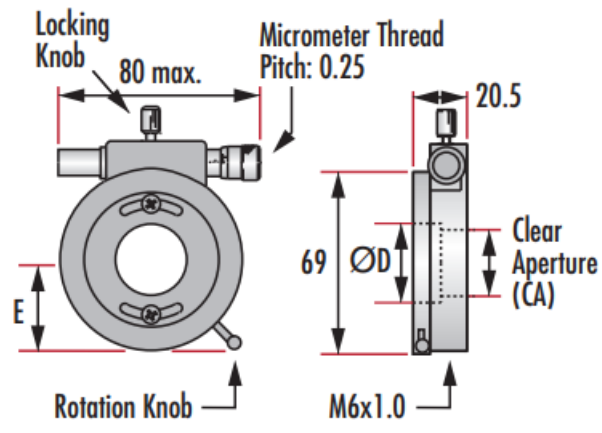


### Glan-Thompson Mount

Standard



Micrometer Driven



Micrometer Driven

