

TECHSPEC® 30mm, Side Drive, Standard Top, 0.5" Travel, English Micrometer



Stock #66-389 **6 In Stock**

⊖ 1 ⊕ A\$700.⁰⁰

ADD TO CART

Volume Pricing	
Qty 1-2	A\$700.80 each
Qty 3+	A\$611.20 each
Need More?	Request Quote

Product Downloads

General

English **Type:**

Physical & Mechanical Properties

Linear (X) **Type of Movement:**

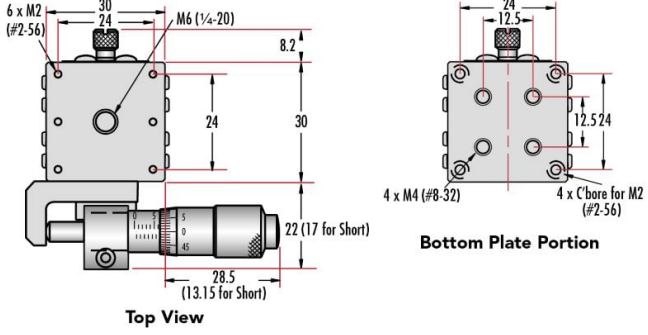
Crossed Roller Bearing **Guide System:**

Side Drive **Drive Orientation:**

30mm Standard-Top Stages - Center Drive



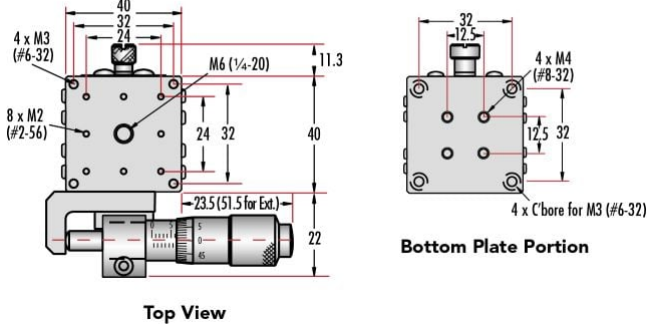
30mm Standard-Top Stages - Side Drive



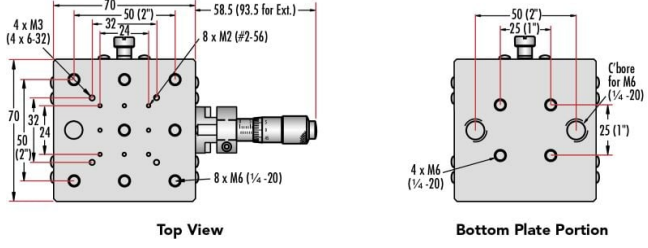
40mm Standard-Top Stages - Center Drive



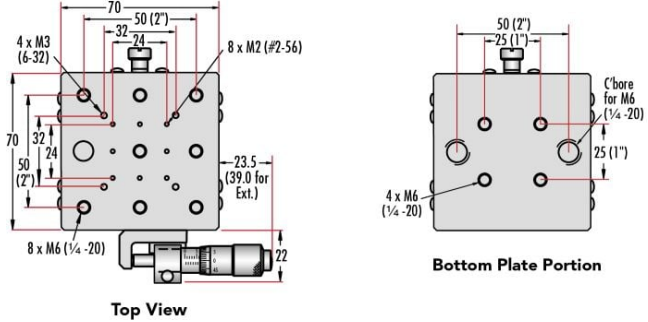
40mm Standard-Top Stages - Side Drive



70mm Standard-Top Stages - Center Drive



70mm Standard-Top Stages - Side Drive



125mm Standard-Top Stages - Center Drive



125mm Standard-Top Stages - Side Drive

