

TECHSPEC 30mm, Side Drive, Standard Top, 0.5" Travel, Metric Stage



30mm, 0.5" Travel, Lead Screw Drive Stage (Side Drive)

Stock **#66-392** **16 In Stock**

- 1 + A\$574⁴⁰

ADD TO CART

Volume Pricing

Qty 1-2	A\$574.40 each
Qty 3+	A\$502.40 each
Need More?	Request Quote

Product Downloads

General

Type:
Metric

Physical & Mechanical Properties

Type of Movement:
Linear (X)

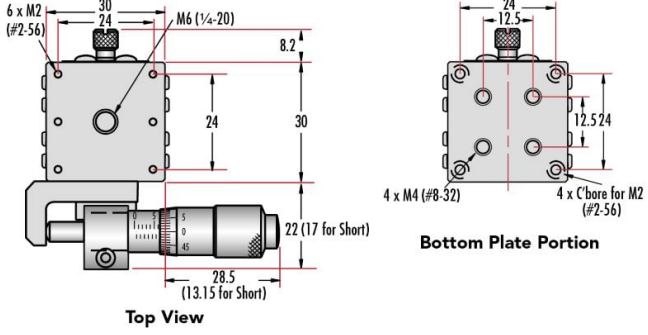
Guide System:
Crossed Roller Bearing

Drive Orientation:

30mm Standard-Top Stages - Center Drive



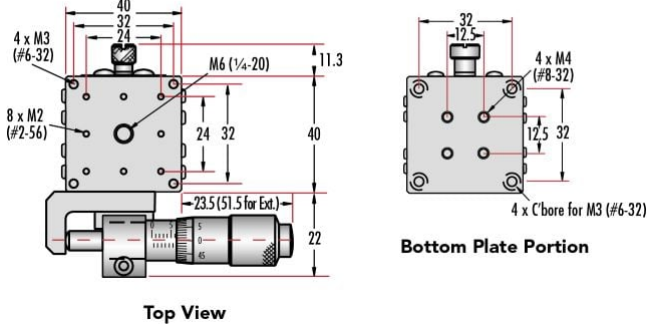
30mm Standard-Top Stages - Side Drive



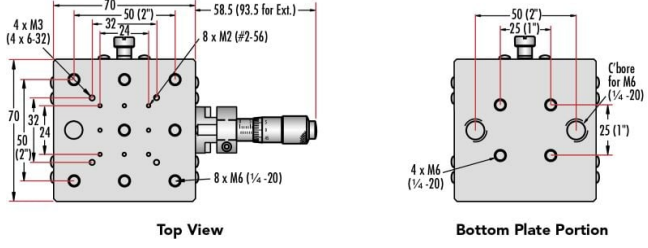
40mm Standard-Top Stages - Center Drive



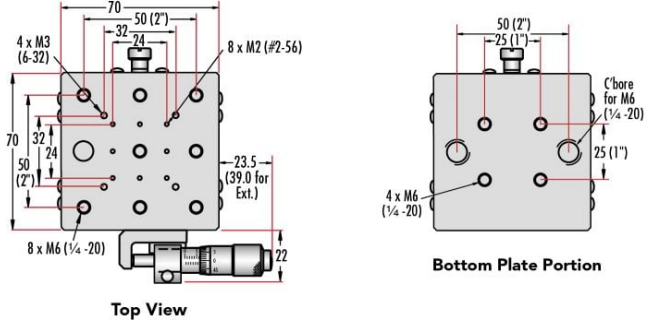
40mm Standard-Top Stages - Side Drive



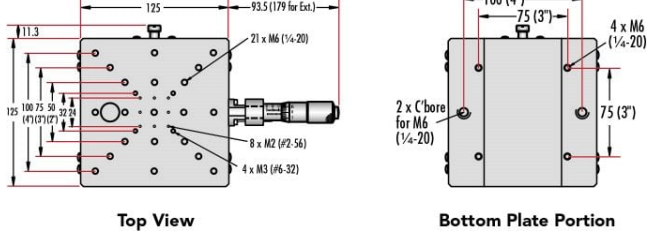
70mm Standard-Top Stages - Center Drive



70mm Standard-Top Stages - Side Drive



125mm Standard-Top Stages - Center Drive



125mm Standard-Top Stages - Side Drive

