

## 18mm Max. Aperture, Iris Diaphragm



Stock #36-623 **2 In Stock**

⊖ 1 ⊕ A\$104.<sup>00</sup>

**ADD TO CART**

Volume Pricing	
Qty 1-4	A\$104.00 each
Qty 5-9	A\$92.16 each
Qty 10-25	A\$85.28 each
Need More?	<a href="#">Request Quote</a>

### Product Downloads

### General

Unmounted **Type:**

### Physical & Mechanical Properties

18.0 **Maximum Aperture (mm):**

31.0 **Outer Diameter (mm):**

**Construction:**  
Aluminum Housing, Blue Tempered Spring Steel  
Leaves

**Lever Diameter (mm):**  
5.00

**Lever Length (mm):**  
10.0

**Number of Leaves:**  
11

**Thickness (mm):**  
6.50

## Optical Properties

**Minimum Aperture (mm):**  
1.5

## Regulatory Compliance

**RoHS 2015:**  
[Compliant](#)

**Certificate of Conformance:**  
[View](#)

**Reach 247:**  
[Compliant](#)

## Product Details

- Used to Adjust  $f\#$ , Field Stop Diameter, and Overall Light Throughput
- Mounted Version Features a Tapped Hole for Post Mounting
- Abundant Types for Varying Applications

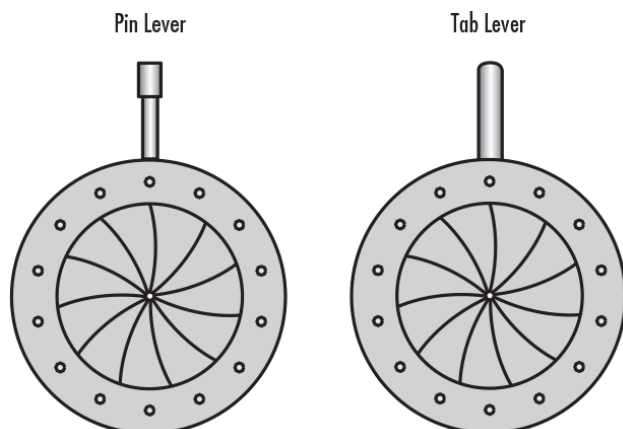
Standard Series Iris Diaphragms can provide control of system  $f\#$  ( $f\#$  = focal length/effective diameter), field stop diameter, and overall energy throughput when incorporated into standard optical systems. It should be noted that the location of the iris is critical to how it will affect the system. All of these diaphragms offer exceptionally smooth operation over the lever travel, from maximum to minimum aperture (approximately  $90^\circ$ ). Mounted versions of these diaphragms feature a tapped hole for easy post mounting. Standard Series Iris Diaphragms have blued spring steel leave construction and black housing finish with lever actuators that are available in two styles: stainless steel "pin" or plastic "tab." These diaphragms are specifically designed for OEM integration and general laboratory use.

For specific OEM application assistance, please contact our [Applications Engineering Department](#).

**Note:** [Iris Diaphragm Mounts](#) sold separately.

## Technical Information

### Types of Levers



Outside Diameter A	Maximum Aperture B	Minimum Aperture C	Thickness D	Stock No.
10.0	5.0	0.60	4.50	<a href="#">#54-352</a>
14.8	8.00	0.80	4.50	<a href="#">#32-623</a>
15.5	8.50	1.00	5.30	<a href="#">#42-124</a>
19.8	12.0	0.80	5.0	<a href="#">#30-263</a>
22.0	14.0	1.0	6.0	<a href="#">#42-123</a>
24.0	15.0	1.2	5.0	<a href="#">#32-622</a>
28.0	18.0	1.2	5.0	<a href="#">#32-621</a>
30.0	20.0	1.2	5.5	<a href="#">#35-111</a>
31.0	18.0	1.5	6.5	<a href="#">#36-623</a>
33.0	22.0	1.4	5.5	<a href="#">#32-620</a>
37.0	25.0	0.8	5.5	<a href="#">#35-110</a>
40.0	28.0	1.5	5.5	<a href="#">#42-122</a>
42.0	42.6	1.2	5.8	<a href="#">#40-997</a>
42.0	30.0	1.5	6.0	<a href="#">#64-500</a>
48.0	48.0	1.2	6.8	<a href="#">#40-998</a>

48.5	30.0	1.2	7.0	#42-121
49.0	34.0	1.5	6.5	#41-972
50.0	36.0	1.9	6.0	#32-619
53.0	37.0	1.9	6.0	#32-618
55.0	41.0	2.0	6.5	#41-973
58.0	42.0	2.0	6.5	#30-118
60.0	40.0	2.5	7.8	#36-624
70.0	50.0	2.5	7.5	#32-617
77.0	59.0	7.0	8.0	#32-616
80.0	58.0	3.0	8.0	#32-615
82.0	60.0	4.0	10.1	#36-625
92.0	70.0	4.5	9.0	#32-614
100.0	75.0	4.5	9.0	#30-264
110.0	80.5	4.5	10.0	#32-613
120.0	90.0	5.0	12.0	#32-612
130.0	98.0	5.0	12.0	#32-611
140.0	104.0	5.0	11.0	#32-610
150.0	110.0	6.0	13.0	#60-644
165.0	120.0	6.0	15.0	#32-609
180.0	138.0	11.5	13.0	#32-608
208.0	158.0	11.0	16.0	#70-894
300.0	225.0	12.0	19.0	#70-895

