

75.0/76.2mm Optic Dia., Optical Cell Kinematic Mount



Stock #53-965 **5 In Stock**

− 1 + A\$944⁰⁰

ADD TO CART

Volume Pricing

Qty 1-9	A\$944.00 each
Qty 10-19	A\$898.08 each
Qty 20-49	A\$871.52 each
Need More?	Request Quote

Product Downloads

General

Adjustable - Tip-Tilt **Type:**

Circular **Type of Optics:**

5° **Range:**

3.25 x 20 TPI **Inner Diameter (inches):**

Optic Holding Style:
[#36-466](#) Required

Physical & Mechanical Properties

Clear Aperture CA (inches):
2.81 ([#36-466](#))

Clear Aperture CA (mm):
71.4 ([#36-466](#))

Optical Centerline (mm):
85.9

Dimensions (inches):
5.75 x 3.00 x 6.25

Dimensions (mm):
146.1 x 76.2 x 158.8

Weight (lbs):
3.0

Construction:
Black Anodized Aluminum, Stainless Steel

Diameter of Compatible Optics (inches):
3.00

Optical Centerline (inches):
3.38

Max. Thickness of Compatible Optics (mm):
22.0 ([#36-466](#))

Adjustment Screw Pitch (inches):
0.015

Threading & Mounting

Size of Compatible Optics (mm):
75.00 - 76.20

Regulatory Compliance

RoHS 2015:
[Compliant](#)

Certificate of Conformance:
[View](#)

Product Details

- Robust Kinematic Mounts for Larger Diameter Optics
- Ball Pivot and Fine Pitch Screws Provide Pitch and Roll
- 50% Greater Resolution than Micrometer Adjustments

Optical Cell Kinematic Mounts provide highly stable kinematic movement with two axis tilt (pitch and roll) provided by a precise ball pivot adjustment and an orthogonal three-point suspension. Adjustment is made by three 64-pitch screws (two 64-pitch screws for 1-2" diameter model). For the 6" diameter model, adjustment is made by two 64-pitch screws for and with three 32-pitch screws for 8" up to 12.5" diameter models. Optical Cell Kinematic Mounts feature fine pitch screws, which permit 50% greater resolution than a micrometer. An angled base on the mount allows for stand-alone installation and mounting. These mounts have integral optic cell design allowing optics to be held undistorted.

Note: For mounting 12" diameter optics in our 12.5" Diameter Optical Mount, use the 12.5" to 12" Adapter Kit (#12-226). The Adapter Kit and 12.5" Diameter Optical Mount are offered together as #12-227.

Technical Information

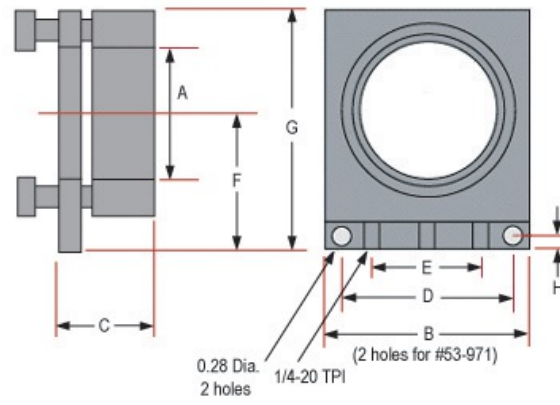
Optic Diameter	A	B	C	D	E	F	G	H	I	J	K	Stock No.
1-2"	2.25-20 TPI	3.75	2.00	2.00	0.38	2.00	3.50	0.28	-	2.12	-	#53-964
3"	3.25-20 TPI	5.75	3.00	4.00	1.25	3.38	6.25	0.28	-	5.00	-	#53-965
4.25"	4.625-20 TPI	5.75	3.00	4.00	1.25	3.38	6.25	0.28	-	5.00	-	#57-872

1" - 4.25" Angled Optical Cell Mounts



Units: inches

4.25" Straight Optical Cell Mount



Units: inches

Optic Diameter	A	B	C	D	E	F	G	H	I	J	K	Stock No.
6"	6.187-32 TPI	8.00	6.00	5.00	5.00	4.50	8.00	0.28	5.75	6.00	1.19	#36-474
8"	8.06	12.00	7.00	10.00	6.00	6.25	11.50	0.28	7.62	9.00	1.60	#36-476
10"	10.06	16.00	8.00	12.00	6.00	8.00	15.00	0.53	9.58	12.50	1.75	#36-478
12.5"	12.56	16.00	8.00	12.00	6.00	8.00	15.00	0.53	12.08	12.50	2.13	#36-480

8" - 12.5" Angled Optical Cell Mounts



Units: inches