

TECHSPEC 40mm, Center Drive, Standard Top, English Stage



40mm, 0.5" Travel, Lead Screw Drive Stage (Center Drive)

Stock **#66-402** **1 In Stock**

- 1 + A\$625⁰⁰

ADD TO CART

Volume Pricing

| | |
|------------|-------------------------------|
| Qty 1-2 | A\$625.60 each |
| Qty 3+ | A\$546.24 each |
| Need More? | Request Quote |

Product Downloads

General

English **Type:**

Physical & Mechanical Properties

Linear (X) **Type of Movement:**

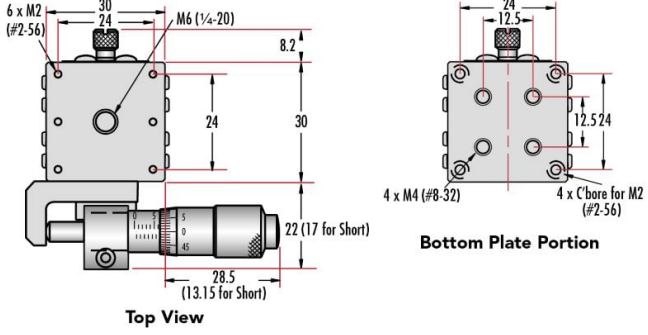
Crossed Roller Bearing **Guide System:**

Drive Orientation:

30mm Standard-Top Stages - Center Drive



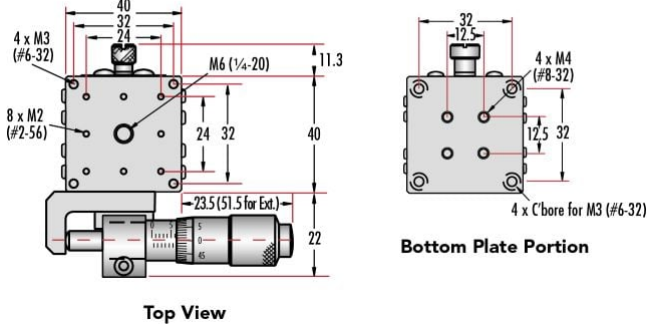
30mm Standard-Top Stages - Side Drive



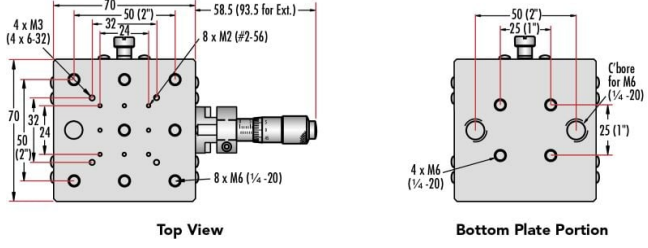
40mm Standard-Top Stages - Center Drive



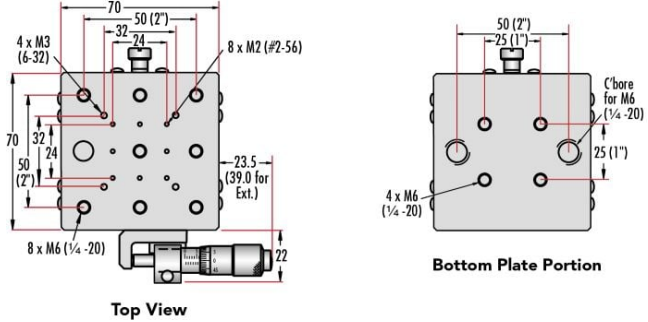
40mm Standard-Top Stages - Side Drive



70mm Standard-Top Stages - Center Drive



70mm Standard-Top Stages - Side Drive



125mm Standard-Top Stages - Center Drive



125mm Standard-Top Stages - Side Drive

