

TECHSPEC 40mm, Center Drive, Standard Top, Metric Extended Micrometer



Stock **#66-410** **7 In Stock**

A\$736.⁰⁰

ADD TO CART

Volume Pricing	
Qty 1-2	A\$736.00 each
Qty 3+	A\$642.56 each
Need More?	Request Quote

Product Downloads

General

Type:
Metric

Physical & Mechanical Properties

Type of Movement:
Linear (X)

Guide System:
Crossed Roller Bearing

Drive Orientation:
Center Drive

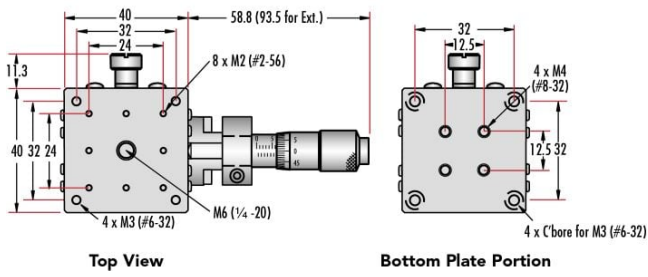
30mm Standard-Top Stages - Center Drive



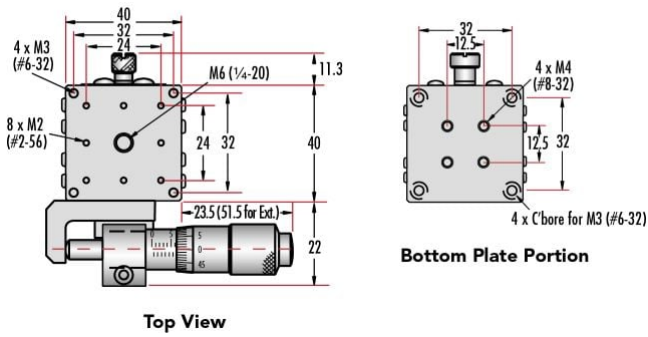
30mm Standard-Top Stages - Side Drive



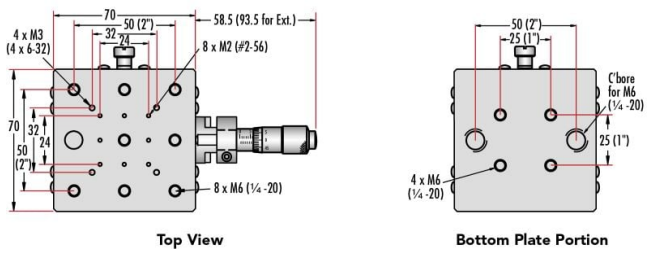
40mm Standard-Top Stages - Center Drive



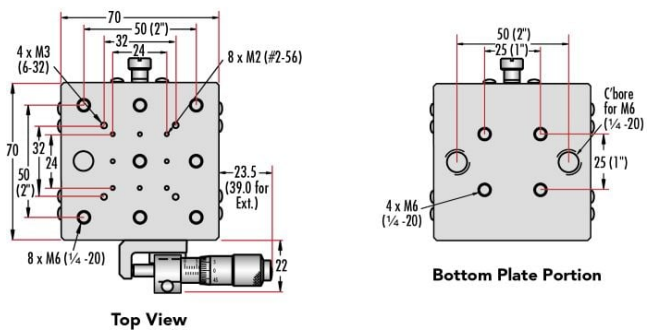
40mm Standard-Top Stages - Side Drive



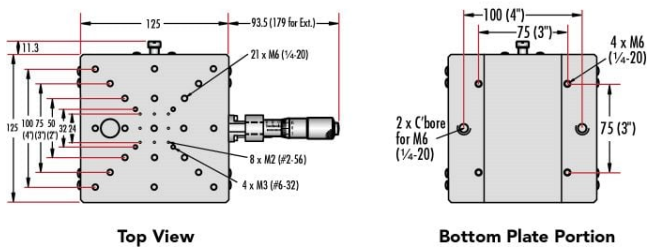
70mm Standard-Top Stages - Center Drive



70mm Standard-Top Stages - Side Drive



125mm Standard-Top Stages - Center Drive



125mm Standard-Top Stages - Side Drive

