

[See all 53 Products in Family](#)

4.0mm FL, High Resolution, f/2, Micro Video Lens



Stock #88-589 **20+ In Stock**

[Similar Products](#)

1 A\$139⁰⁰

ADD TO CART

Volume Pricing

| | |
|------------|-------------------------------|
| Qty 1-49 | A\$139.00 each |
| Qty 50+ | A\$108.00 each |
| Need More? | Request Quote |

Product Downloads

General

Product Family:
Long Working Distance Optimized Imaging Lenses

Note:
High Resolution

Type:
M12 Imaging Lens

IR Cut Filter:
No

Physical & Mechanical Properties

| | |
|-------|-------------------------------|
| Fixed | Iris Option: |
| 16.10 | Length (mm): |
| 15.0 | Maximum Diameter (mm): |
| 15 | Outer Diameter (mm): |

Optical Properties

| | |
|----------------------------|--|
| 86 | Horizontal Field of View @ Max Sensor Format: |
| 6.60 | Maximum Image Circle (mm): |
| 100 lp/mm @ 75.0% Contrast | Resolution, On-Axis: |
| 100 lp/mm @ 62.0% Contrast | Resolution, 0.7 Field: |
| 100 lp/mm @ 34.0% Contrast | Resolution, Full Field: |
| -32.3 | TV Distortion (%): |
| 4.00 | Focal Length FL (mm): |
| 400 - ∞ | Working Distance (mm): |
| f/2 | Aperture (f/#): |
| VIS | Lens Wavelength Range: |

Sensor

| | |
|--------|-------------------------------|
| 1/2.7" | Maximum Sensor Format: |
| 3.45 | Pixel Size (µm): |

Threading & Mounting

| | |
|---------------------|-----------------------|
| N/A | Filter Thread: |
| S-Mount (M12 x 0.5) | Mount: |

Regulatory Compliance

| | |
|----------------------------------|------------------------------------|
| Exempt | RoHS 2015: |
| View | Certificate of Conformance: |
| Contains SVHC(s) | Reach 242: |

Product Details

- Up to 2/3", S-Mount Lens
- Wide Field of View Board Camera Lens
- 1.68mm to 50mm Focal Length

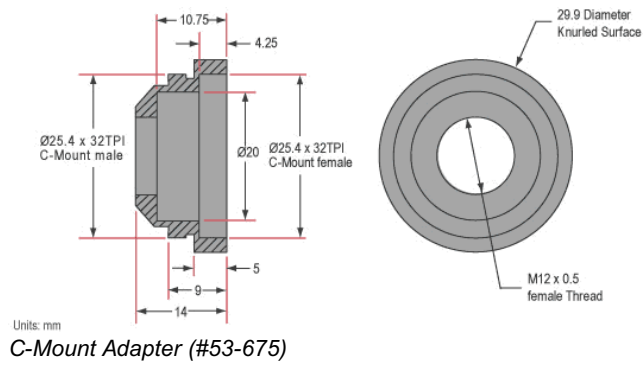
Long Working Distance Optimized Imaging Lenses are designed for use in micro sensor board cameras. These lenses provide excellent image quality in a small, versatile package. Optimized to cover 2/3" sensor formats, they are an ideal choice for wide angle and close focus applications. Long Working Distance Optimized Imaging Lenses have 1.68 to 50mm focal lengths. All lenses are threaded for M12 x 0.5. Some models with Back Focal Distances (dimension "C") less than 4mm may be incompatible with some color cameras due to the camera's Bayer filter. We recommend such lenses for use with monochrome cameras only. Lenses are designed for the 400nm to 700nm range.

Note: A line of [M12 Imaging Lens Accessories](#) is available for these products.

Technical Information



Infinite Conjugate M12 Imaging Lenses



C-Mount Adapter (#53-675)

| Stock # | Focal Length (mm) | Aperture (f/#) | A (mm) | B (mm) | C (mm) | D (mm) | E (mm) |
|---------|-------------------|----------------|--------|--------|--------|--------|--------|
| #59-776 | 1.68 | 2.5 | 15.0 | 13.2 | 3.3 | 2.8 | 15.1 |
| #56-774 | 1.74 | 2.8 | 21.0 | 19.61 | 3.33 | 3.2 | N/A |
| #64-106 | 1.9 | 2.0 | 17.0 | 14.58 | 4.2 | 4.0 | 15.24 |
| #55-569 | 2.1 | 2.0 | 17.0 | 18.3 | 4.8 | 3.7 | 19.4 |
| #57-681 | 2.5 | 2.5 | 17.0 | 19.1 | 4.4 | 3.7 | 20.3 |
| #55-570 | 2.9 | 2.0 | 15.0 | 17.4 | 5.2 | 5.8 | 17.8 |
| #59-778 | 3.0 | 2.0 | 14.0 | 15.3 | 5.3 | 3.9 | N/A |
| #57-684 | 6.05 | 1.8 | 15.0 | 15.6 | 8.0 | 6.0 | N/A |
| #55-573 | 6.37 | 2.4 | 14.8 | 13.12 | 5.3 | 3.3 | N/A |
| #55-574 | 8.0 | 2.5 | 15.0 | 13.5 | 5.8 | 3.0 | N/A |
| #63-762 | 10.1 | 2.8 | 15.0 | 13.4 | 6.1 | 3.2 | N/A |
| #65-251 | 10.4 | 2.8 | 14.0 | 8.93 | 6.4 | 4.0 | N/A |
| #56-775 | 12.0 | 2.0 | 14.0 | 12.1 | 6.2 | 4.0 | N/A |
| #64-108 | 16.0 | 2.0 | 14.0 | 14.4 | 8.0 | 4.5 | N/A |
| #83-107 | 16.0 | 4.0 | 14.0 | 14.4 | 8.0 | 4.5 | N/A |
| #56-776 | 25.0 | 2.5 | 25.0 | 23.2 | 8.1 | 6.7 | N/A |
| #59-780 | 35.0 | 2.0 | 25.0 | 23.4 | 15.8* | 6.0 | N/A |
| #59-781 | 50.0 | 2.5 | 27.0 | 52.8 | 4.1 | 8.0 | N/A |

*Note: 35.0mm lens has a large flange focal length. Please make proper adjustments when mounting.
 **#66-881, B(mm): 20.49
 ***#66-884, B(mm): 19.8, E(mm): 21

| Stock # | Focal Length (mm) | Aperture (f/#) | A (mm) | B (mm) | C (mm) | D (mm) | E (mm) |
|---------|-------------------|----------------|--------|--------|--------|--------|--------|
| #88-587 | 3.0 | 2.0 | 15.0 | 15.35 | 5.2 | 4 | 16 |
| #88-588 | 3.5 | 2.5 | 15.0 | 15.4 | 6.9 | 4 | N/A |
| #11-323 | 3.7 | 1.6 | 19 | 24.04 | 5.46 | 6.5 | 24.16 |
| #11-324 | 4.0 | 1.8 | 20 | 23.8 | 5.01 | 7 | 24.72 |
| #88-589 | 4.0 | 2.0 | 15.0 | 16.1 | 5.9 | 3.8 | N/A |
| #88-590 | 4.3 | 2.0 | 22.0 | 20.96 | 5.5 | 6 | 21.93 |
| #11-325 | 4.6 | 1.6 | 19 | 24.18 | 5.44 | 7 | 24.32 |
| #88-591 | 4.6 | 2.0 | 12.0 | 13.1 | 1.9 | 6 | N/A |
| #88-592 | 5.6 | 2.0 | 17.0 | 22.21 | 5.3 | 5 | 22.38 |
| #89-750 | 6.0 | 2.0 | 14.0 | 15.1 | 6.7 | 3.93 | N/A |
| #11-326 | 7.0 | 1.6 | 19 | 25.24 | 5.47 | 7.2 | 24.2 |
| #89-751 | 8.0 | 2.0 | 15.0 | 14.4 | 6.8 | 4.5 | N/A |
| #89-752 | 12.0 | 2.0 | 15.0 | 14.3 | 5.7 | 4.5 | N/A |

