

TECHSPEC® 4" Length, 8-32 Stud, Steel Post



Stock #58-965 CLEARANCE **2 In Stock**

- 1 + A\$20.⁰⁰

ADD TO CART

Volume Pricing	
Qty 1+	A\$20.00 each
Need More?	Request Quote

Product Downloads

SPECIFICATIONS

General

English **Type:**

Physical & Mechanical Properties

4.0 **Length (inches):**

101.60	Length (mm):
0.5	Diameter (inches):
12.70	Diameter (mm):

Threading & Mounting

8-32	Male Thread:
------	--------------

Regulatory Compliance

Compliant	RoHS 2015:
View	Certificate of Conformance:
Compliant	REACH 241:

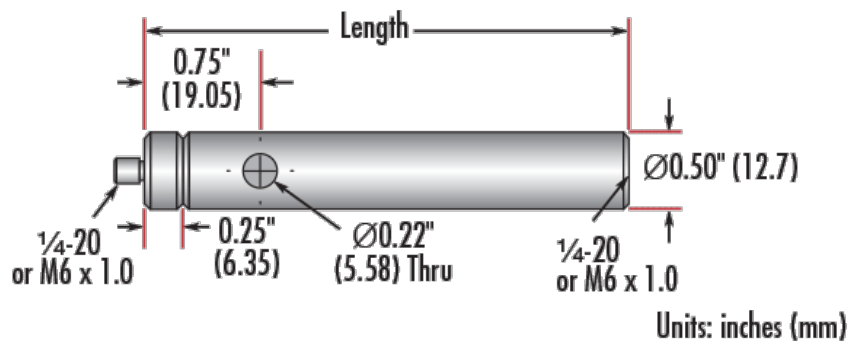
PRODUCT DETAILS

Adapter [#58-982](#) is included. Additional [thread adapters](#) available separately.

- Male 8-32 or 1/4-20 Stud, Female 1/4-20 Base
- Posts Include Interchangeable Male Stud and Removable Base S.H.S.S.
- Available in Variety of Lengths
- [Metric Versions Also Available](#)

TECHSPEC® English Stainless Steel Mounting Posts include a 1/4" long male thread stud adapter that is easily interchangeable with other adapters to ensure compatibility between these posts and any optical mount. Removing the included adapter reveals female 8-32 threads on the post. Each optical post also has a thru-hole to allow an Allen wrench or other tool to rotate the post easily. Thread values are laser engraved on each post for quick identification and integration. TECHSPEC English Stainless Steel Mounting Posts are offered in a variety of lengths. [Metric Versions are also available for purchase.](#)

TECHNICAL INFORMATION



#68-230			
Stock No.	Description		Qty
#59-751	Steel Post, 1" Length		1
#59-752	Steel Post, 1.5" Length		1
#58-999	Steel Post, 2" Length		2
#59-754	Steel Post, 3" Length		2
#59-000	Steel Post, 4" Length		2
#59-008	Steel Post, 6" Length		1
#59-009	Steel Post, 8" Length		1

#68-229			
Stock No.	Description		Qty
#58-960	Steel Post, 1" Length		1
#58-961	Steel Post, 1.5" Length		1
#58-962	Steel Post, 2" Length		2
#58-964	Steel Post, 3" Length		2
#58-965	Steel Post, 4" Length		2
#58-966	Steel Post, 6" Length		1
#58-967	Steel Post, 8" Length		1