

TECHSPEC® 4" Length, 1/4-20 Thread, Post Holder



Stock #58-980 **20+ In Stock**

- 1 + A\$26.⁸⁰

ADD TO CART

Volume Pricing	
Qty 1-9	A\$26.80 each
Qty 10+	A\$26.08 each
Need More?	Request Quote

Product Downloads

General

English **Type:**

Physical & Mechanical Properties

4.0 **Length (inches):**

Optical Properties

Aluminum with Brass Inserts **Substrate:**

Threading & Mounting

Mounting Threads:

1/4-20

Regulatory Compliance

Compliant

RoHS 2015:

Compliant

Reach 224:

[View](#)

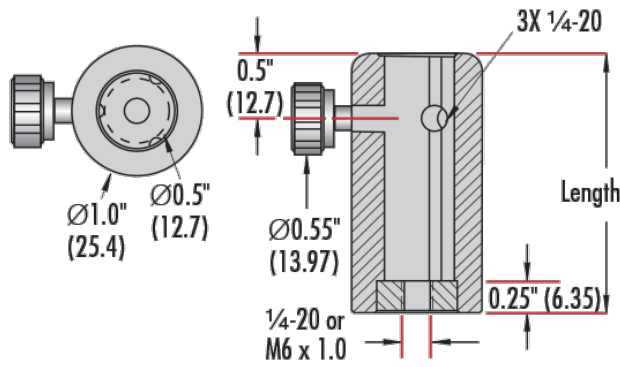
Certificate of Conformance:

Product Details

- English & Metric Post Holders
- English: 1/4-20 Base
- Metric: M6x1 Base
- Unique 3-Point Contact Design
- Aluminum with Brass Inserts

Post Holders have a unique 3-point contact design that inherently centers our [Stainless Steel Optical Mounting Posts](#) more accurately. The three contact pads run the entire inside length of each holder, thus ensuring a more accurate fit with our Posts. Additionally, three tapped holes allow thumbscrew orientation without removing the Post Holder from the breadboard table, base plate, or other fixture. Post hole depth is Post Holder length less 0.25" (6.35mm). Thread values are laser engraved on each Post Holder for quick integration. Locking thumbscrew included.

Technical Information



Description	Qty	Stock No.
Post Holder, 1" Length	1	#58-976
Post Holder, 1.5" Length	1	#58-977
Post Holder, 2" Length	2	#58-978
Post Holder, 3" Length	2	#58-979
Post Holder, 4" Length	1	#58-980
Post Holder, 6" Length	1	#58-981

Description	Qty	Stock No.
Post Holder, 25.4mm Length	1	#58-970
Post Holder, 38.1mm Length	1	#58-971
Post Holder, 50.8mm Length	2	#58-972
Post Holder, 76.2mm Length	2	#58-973
Post Holder, 101.6mm Length	1	#58-974
Post Holder, 152.4mm Length	1	#58-975