

[See all 10 Products in Family](#)

## 4X Objective, Nikon CFI Super Fluor

See More by [Nikon](#)



Stock #75-345 **NEW** [CONTACT US](#)

- 1 + A\$8,624.<sup>00</sup>

**ADD TO CART**

### Volume Pricing

Qty 1+	A\$8,624.00 each
Need More?	<a href="#">Request Quote</a>

### Product Downloads

### General

Model Number:  
MRF00041

Compatible Tube Lens Focal Length (mm):  
Focal Length: 200mm

Type:  
Microscope Objective

Style:  
Infinity Corrected

Manufacturer:  
Nikon

### Physical & Mechanical Properties

Field of View (mm):  
5.5

49.30	Length (mm):
44.30	Length excluding Threads (mm):
32	Maximum Diameter (mm):
110	Weight (g):

### Optical Properties

0.17	Compatible Cover Glass Thickness (mm):
1.60mm	Horizontal Field of View, 1/2" Sensor:
2.20mm	Horizontal Field of View, 2/3" Sensor:
4X	Magnification:
0.20	Numerical Aperture NA:
15.5	Working Distance (mm):
22	Field Number (mm):
60.06	Parfocal Length (mm):
N/A	Immersion Liquid:

### Sensor

2/3"	Maximum Sensor Format:
------	------------------------

### Threading & Mounting

M25 x 0.75	Mounting Threads:
------------	-------------------

### Regulatory Compliance

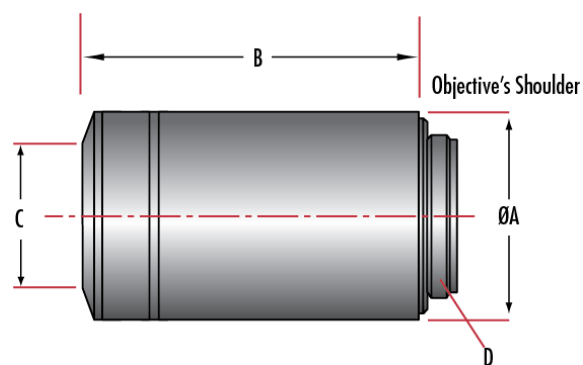
<a href="#">View</a>	Certificate of Conformance:
----------------------	-----------------------------

## Product Details

- Superior UV Transmission
- High Numerical Aperture Designs
- Feature Low Auto-Fluorescence Materials

Nikon CFI Super Fluor Objectives are designed to provide superior transmission to ultraviolet applications operating down to 340nm, including for use with fluorochromes indo-1, fura-2, and fluo-3, or for photo-activation of caged compounds. Nikon CFI Super Fluor Objectives are designed using low auto-fluorescence materials along with high numerical apertures to guarantee sharp, bright fluorescence images. These microscope objectives have been optimized for improved signal-to-noise ratios at short wavelengths.

## Technical Information



Dimensions (mm)						
Stock No.	Magnification	Parafocal Length	A	B	C	D
<a href="#">#88-374</a>	4X	60.06	30.0	44.4	19.7	M25 x 0
<a href="#">#88-375</a>	10X	60.06	32.0	58.7	8.0	M25 x 0
<a href="#">#88-376</a>	20X	60.06	33.5	58.9	9.0	M25 x 0
<a href="#">#88-377</a>	40X	60.06	33.0	59.6	7.5	M25 x 0